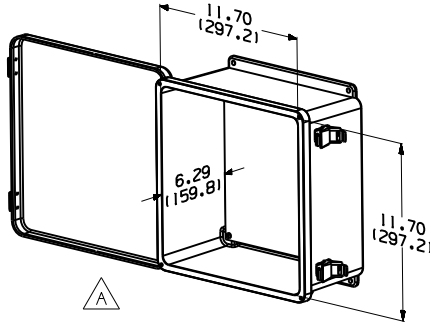
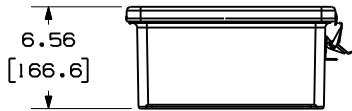
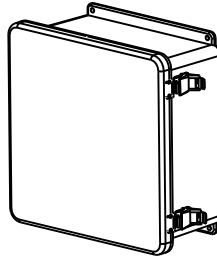
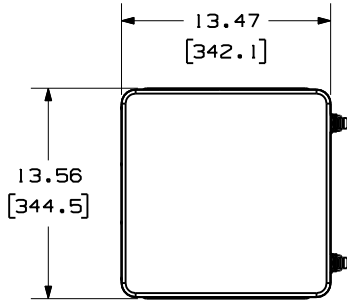


THIS COPY IS PROVIDED ON A RESTRICTED BASIS AND IS NOT TO BE USED IN ANY WAY DETRIMENTAL TO THE INTERESTS OF PANDUIT CORP.

| PANDUIT P/N | WEIGHT |
|---------------------|--------------------------------------|
| PZNWE12 PZNWE12S | 4.8 LB/EACH PC (2177.2 g/EACH PC) |



NOTES:

- SEE CURRENT CATALOG FOR ADDITIONAL PART NUMBER SUFFIXES TO INDICATE COLOR AND OR PACKAGE QUANTITY.
- SEE CATALOG FOR COMPLETE LIST OF PARTS APPLICABLE FOR USE WITH THIS PART.
- DIMENSIONS IN PARENTHESES ARE IN METRIC.
- PART INCLUDES:
 - 1- ENCLOSURE (FIBERGLASS)
 - 1- ALUMINUM MOUNTING PLATE - 10.88" X 10.88"
 - 1- MOUNT TEMPLATE
 - 1- NEMA CONNECTIVITY / HARDWARE KIT CONTAINING:
 - 1- CAT TX 6 PLUS JACK (PZNWE12)
 - 1- CAT TX 6 PLUS SHIELDED JACK (PZNWE12S)
 - 1- 2 POSITION SURFACE MOUNT BOX (CBXJ2WH-A)
 - 1- 2FT TX6 PLUS PATCH CORD (PZNWE12)
 - 1- 1M STP TX6 PLUS PATCH CORD (PZNWE12S)
 - 2- CABLE TIE MOUNTS (ABMM-A-C)
 - 4- PAN-TY (PLT1.5-C)
 - 1- SILICONE SEAL PACK
 - 6- #10 SELF TAPPING SCREW
 - 2 -#6 FLAT HEAD SCREW

| | | | |
|------------------|-------------------------|------|---|
| DRAWING FILENAME | VI0396AA_DC_00B.prt (1) | SIZE | A |
|------------------|-------------------------|------|---|

PANZONE™ NEMA 4X / IP66 RATED
WIFI ENCLOSURE CUSTOMER DRAWING

| | | |
|---|------------------|---------------------|
| <p>PANDUIT™ CORP. TINLEY PARK, ILL 60477</p> | I.I. NUMBER | N/A |
| | PRODUCT SPEC | N/A |
| <p>THIRD ANGLE PROJECTION</p> | WORK INSTRUCTION | N/A |
| | SCALE | NONE |
| <p>ALL DIMENSIONS ARE GIVEN IN INCHES, UNLESS OTHERWISE SPECIFIED.</p> <p>DIMENSIONAL TOLERANCES ARE: [.X1] ± [.XXX1] ± .0101,31 [.XX1] ± .031,81 ANGLS ±</p> | PART NO. | PZNWE12 PZNWE12S |
| <p>DRAWN BY: RYB</p> <p>DATE: 11/14/06</p> <p>MATERIAL: FIBERGLASS</p> | DRAWING NO. | 10396-05 |

| REV | DATE | BY | CHK | DESCRIPTION | ECN | R | CUST | SUP | OTH |
|-----|----------|-----|-----|-------------------------------|----------|-----|------|-----|-----|
| 01 | 1/16/07 | RYB | | A. ADDED INTERNAL VIEW & DIMS | 10396-05 | | | | |
| 00 | 11/14/06 | RYB | BAS | RELEASED TO PRODUCTION | 10396-05 | BAS | BAS | BAS | BAS |