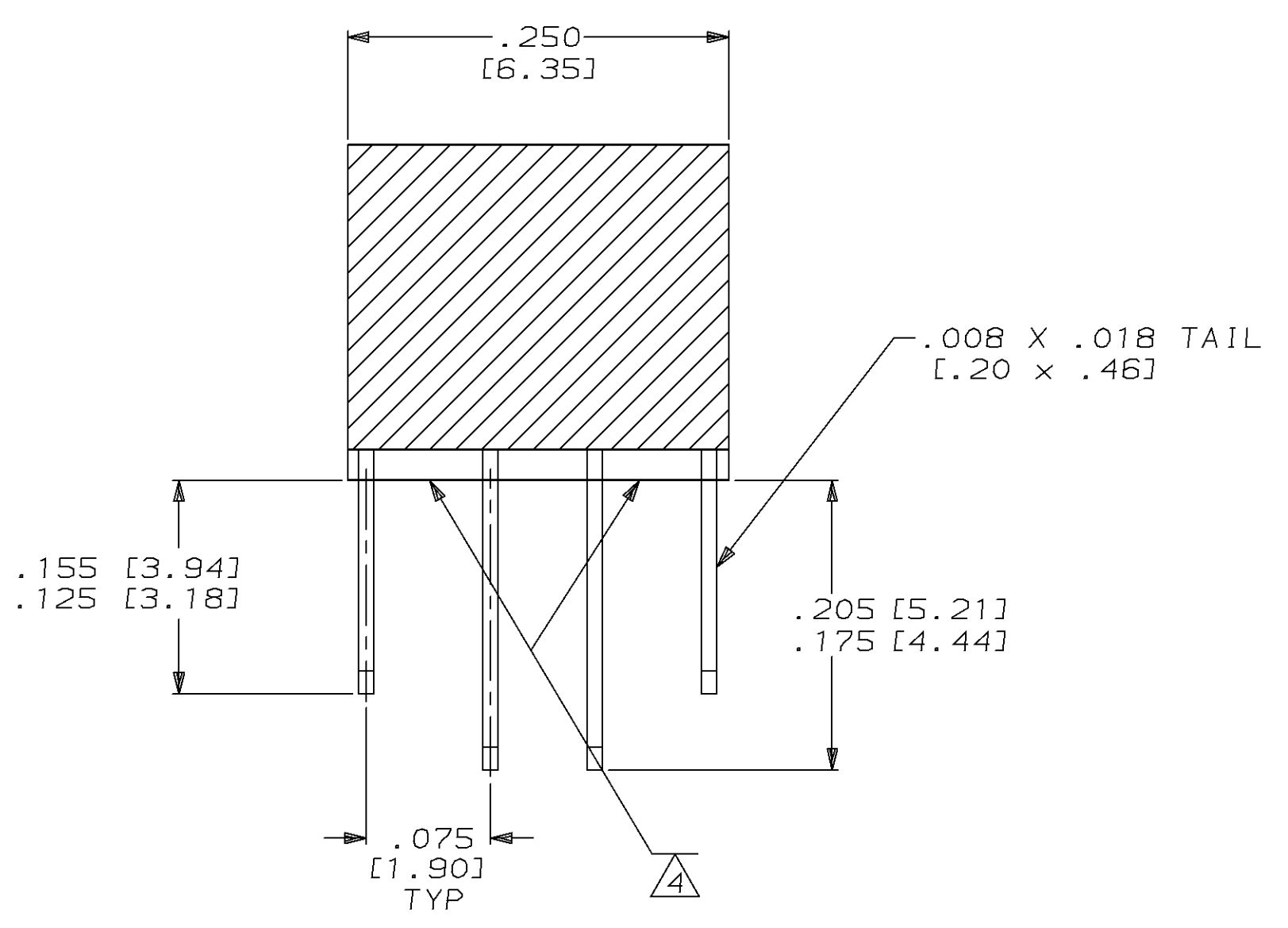
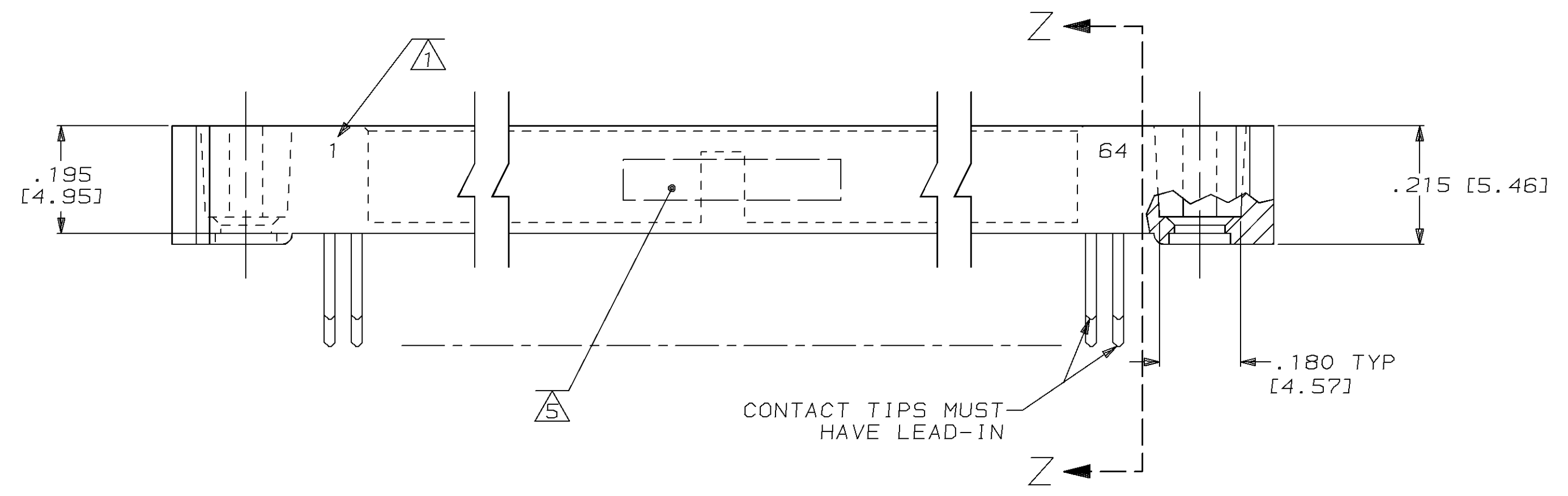
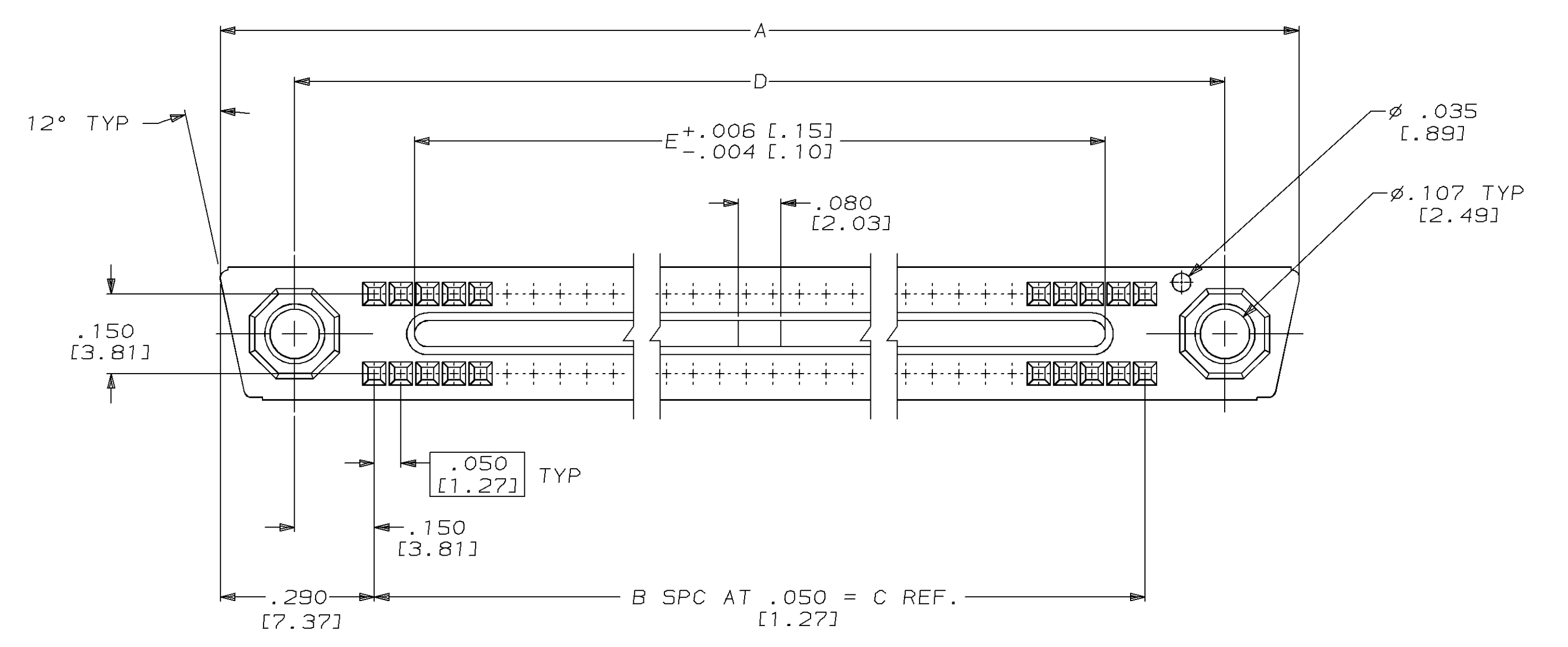
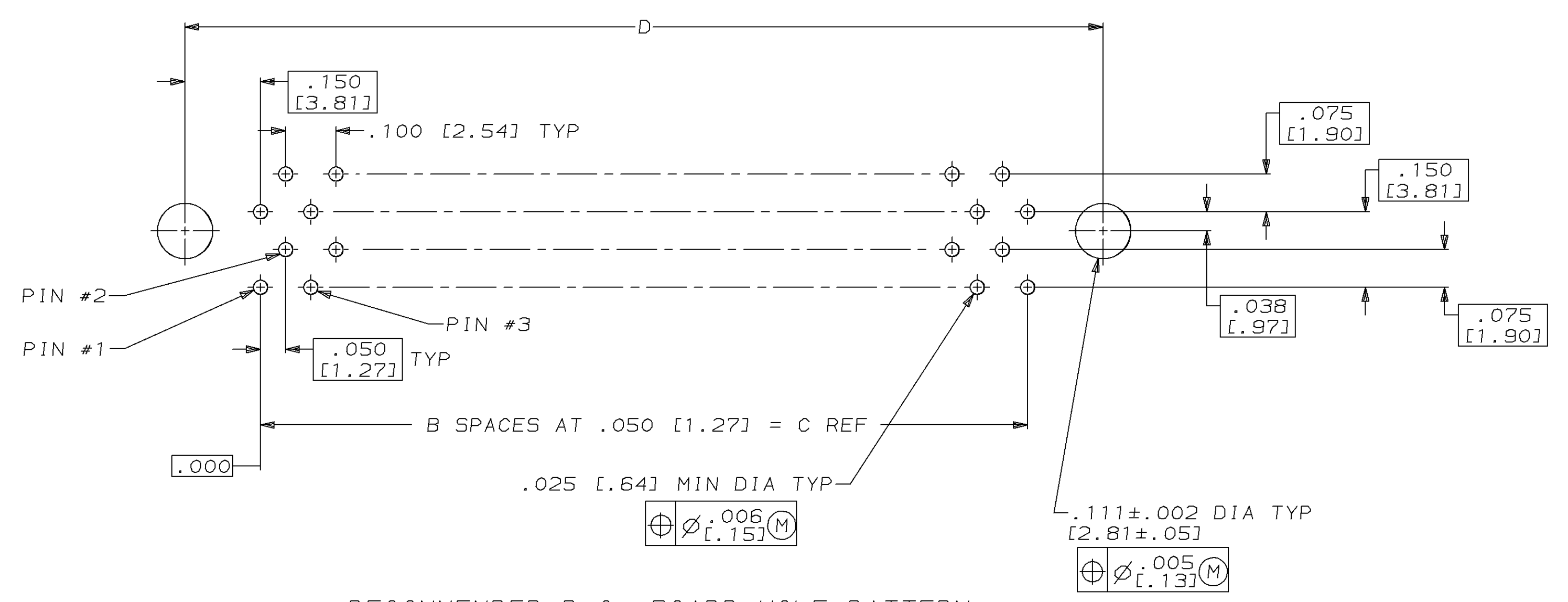


LOC		DIST		REVISIONS			
DF	F1	P	LYR	DESCRIPTION	DATE	DMN	APVD
		0		REL PER 0600-3648-95	3-8-95	TA	DG



- 1. NUMBERS INDICATING END POSITIONS MARKED THIS SIDE ONLY.
- 2. MEETS ALL APPLICABLE REQUIREMENTS OF MIL-C-55302.
- 3. HOUSING MATERIAL: LIQUID CRYSTAL POLYMER PER MIL-M-24519, GLCP-30F; COLOR: GRAY.
- 4. EPOXY IS ADDED TO BOTTOM OF HOUSING FOR INCREASED CONTACT RETENTION AND SEALING.
- 5. AMP, PART NUMBER, CUSTOMER PART NUMBER AND DATE CODE MARKED IN THIS APPROXIMATE AREA.



RECOMMENDED P.C. BOARD HOLE PATTERN (CONNECTOR SIDE)

REMARKS	94987-232332-1	1 - 64	3.600 [91.44]	3.450 [87.63]	3.150 [80.01]	63	3.850 [97.79]	128	443111-1
	CUSTOMER PART NUMBER	CAVITY IDENT	E	D	C	B	A	NO OF POSN	PART NUMBER

<small>THIS DRAWING IS A CONTROLLED DOCUMENT AND AMP INCORPORATED WILL BE SUBJECT TO CHANGE AND THE CONTROLLING ENGINEERING DEPARTMENT SHALL BE CONTACTED FOR THE LATEST REVISION.</small>		DMN T. ALEXANDER 3-7-95 CHK D. GUTTER 3-8-95 APVD D. GUTTER 3-8-95 NAME RECEPTACLE ASSEMBLY, SEALED, MINI-BOX, W/SPECIAL MARKING	AMP Incorporated Harrisburg, PA 17105-3608
DIMENSIONS: IN	TOLERANCES UNLESS OTHERWISE SPECIFIED: 0 PLC ± 1 PLC ± 2 PLC ± 3 PLC ±.005 [0.13] 4 PLC ± ANGLES ± FINISH 000050 GOLD IN CONTACT AREA, TIN-LEAD ON TAILS	APPLICATION SPEC WEIGHT CUSTOMER DRAWING	SIZE A1
SCALE 5:1		SHEET 1 OF 1	REV 0