

CAVITA' ADATTA PER CONTATTO JUNIOR TIMER LANCELESS P/N 281822  
281823, CON GUARNIZIONE PASSACAVO P/N 182730, OPPURE JUNIOR  
POWER TIMER CON GUARNIZIONE PASSACAVO.  
(CAVITY SUITABLE FOR JUNIOR TIMER LANCELESS P/N 281822 AND  
282823, WITH SINGLE WIRE SEAL P/N 182730, OR JUNIOR POWER  
TIMER CONTACT WITH SINGLE WIRE SEAL).

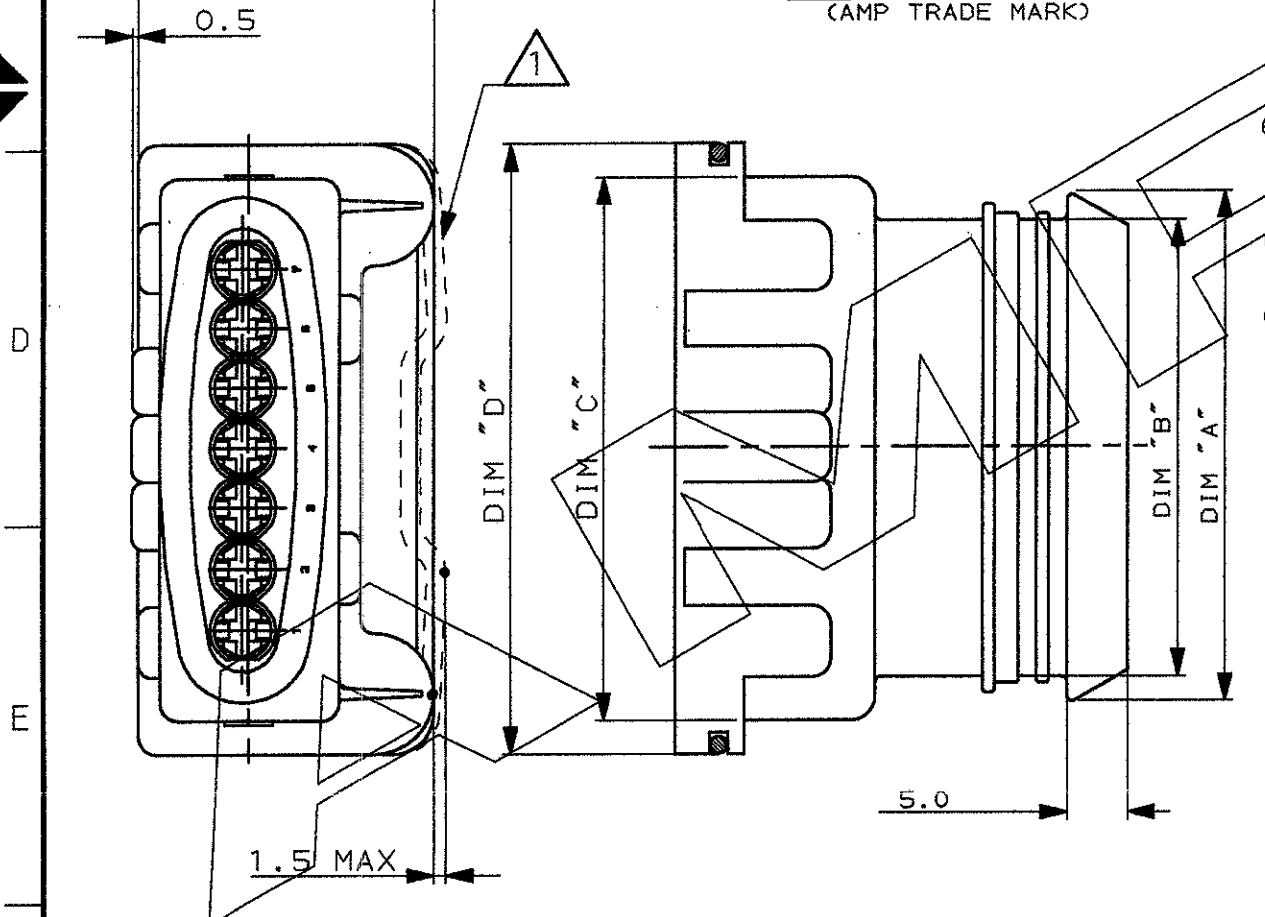
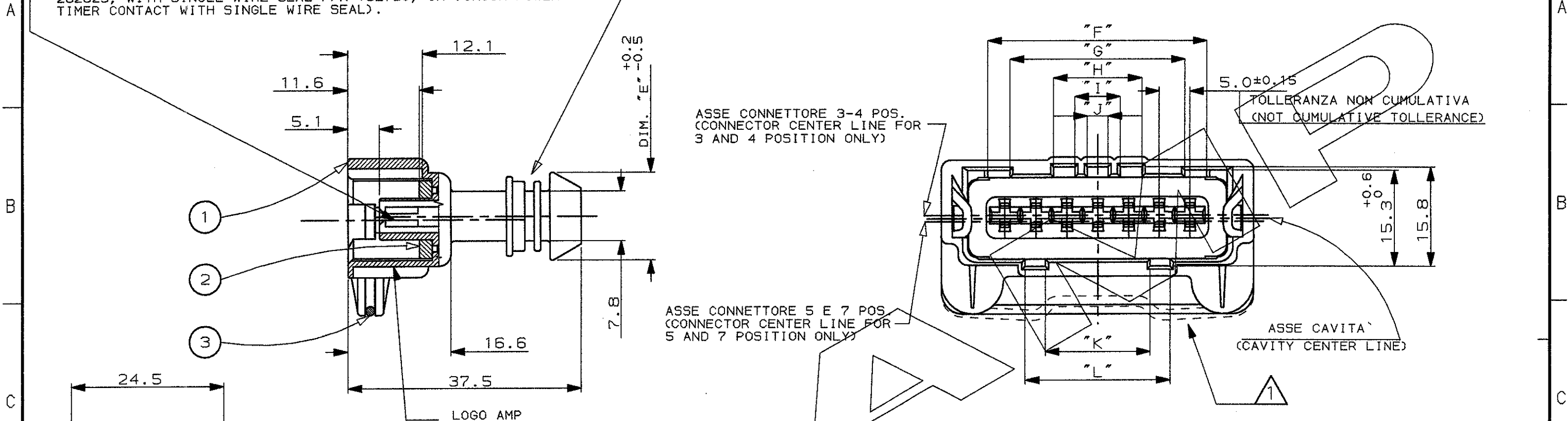
NERVATURE, SOLO SUL 7 VIE  
(RIBS, ON 7 POS. ONLY)

ASSE CONNETTORE 3-4 POS.  
(CONNECTOR CENTER LINE FOR  
3 AND 4 POSITION ONLY)

ASSE CONNETTORE 5 E 7 POS.  
(CONNECTOR CENTER LINE FOR  
5 AND 7 POSITION ONLY)

SCALA NON IMPEGNATIVA  
(DO NOT SCALE)  
DIMENSIONI IN mm  
(DIMENSIONS IN mm)

METRIC  
PROIEZIONE EUROPEA  
(EUROPEAN PROJECTION)



7	42.6	37.8	45.0	50.5	14.6	35.5	28.3	//	//	3.4	16.3	23.5	GRIGIO (GREY)	281808-2
7	42.6	37.8	45.0	50.5	14.6	35.5	28.3	//	//	3.4	16.3	23.5	NERO (BLACK)	281808-1
(*) 5	32.0	27.8	35.0	40.5	15	28.5	21.3	//	//	3.4	11.3	18.5	GRIGIO (GREY)	281806-2
5	32.0	27.8	35.0	40.5	15	28.5	21.3	//	//	3.4	11.3	18.5	NERO (BLACK)	281806-1
4	28.0	22.8	30.0	35.5	14	//	//	14.3	7.4	//	11.3	18.5	MARRONE (BROWN)	281804-3
(*) 4	28.0	22.8	30.0	35.5	14	//	//	14.3	7.4	//	11.3	18.5	GRIGIO (GREY)	281804-2
4	28.0	22.8	30.0	35.5	14	//	//	14.3	7.4	//	11.3	18.5	NERO (BLACK)	281804-1
(*) 3	23.0	17.8	25.0	30.5	14	//	//	//	//	3.4	11.3	18.5	GRIGIO (GREY)	281802-2
3	23.0	17.8	25.0	30.5	14	//	//	//	//	3.4	11.3	18.5	NERO (BLACK)	281802-1
N° VIE (POS.)	A	B	C	D	E	F <sup>+0.3</sup> <sub>-0.1</sub>	G <sup>+0.1</sup> <sub>-0.3</sub>	H <sup>+0.3</sup> <sub>-0.1</sub>	I <sup>+0.1</sup> <sub>-0.3</sub>	J <sup>+0.3</sup> <sub>-0.1</sub>	K <sup>+0.1</sup> <sub>-0.3</sub>	L <sup>+0.3</sup> <sub>-0.1</sub>	COLORE (COLOUR)	PART NUMBER

3	///	ACCIAIO INOX (STAINLESS STEEL)	MOLLA (SPRING)
2	NATURALE (CLEAR)	GOMMA SILICONE (SILICONE RUBBER)	GUARNIZIONE (SEALING)
1	VEDI TABELLA (SEE TABLE)	PA 6.6	BLOCCHETTO (HOUSING)
N° (ITEM)	FINITURA / COLORE (FINISH / COLOUR)	MATERIALE (MATERIAL)	DESCRIZIONE (DESCRIPTION)

(\*) OBSOLETE

CUSTOMER DWG. FOR REFERENCE ONLY  
DISEGNO PER CLIENTE SOLO PER RIFERIMENTO

THIS DRAWING IS UNPUBLISHED - RELEASE FOR PUBLICATION 19

© COPYRIGHT 19 BY AMP INCORPORATED, HARRISBURG, PA. ALL INTERNATIONAL RIGHTS RESERVED. AMP PRODUCTS MAY BE COVERED BY U.S. AND FOREIGN PATENT AND/OR PATENT PENDING

TOLLERANZE: SE NON DIVERSAMENTE SPECIFICATO  
(TOLERANCES, UNLESS OTHERWISE SPECIFIED)

DIAM. ISOLANTE (INS. DIA. RANGE) RANGO FILO (WIRE RANGE) SCALA (SCALE)

/// /// 2:1

± 0.3  
ANGOLI (ANGLES) ± 2°

DIS. 24 Aprile 87 (DR.) D Agostino S.

DESCRIZIONE (DESCRIPTION) SPLASH PROOF CONNECTOR 3-4-5-7 POSITION ASSEMBLY

LOC. SIZE NUMERO (DWG NO) MASTER  
REV. FOGLIO (SHEET) G 1 DI (OF) 3

1 FORMA ALTERNATIVA MOLLA PER CONNETTORE 5 E 7 VIE  
(SPRING ALTERNATIVE DESIGN FOR CONNECTOR 5 AND 7 POSITION)

G	ECR-14-003472	MP	24MAR 2014	CONT. (CHK)
F1	REDRAWN AND REVISED WITH FT00-0080-98	N.P. C.T.	12-5 '98	APP. (APP.)
REV. (REV.)	REVISIONI (REVISION RECORD)	DIS. (DR)	DATA (DATE)	

DISTRIBUZIONE (PRINT DIST.)

DEFORMAZIONE MASSIMA 0.05  
(MAX WARPAGE 0.05)

DEFORMAZIONE MASSIMA 0.15 NELLA CONDIZIONE DI MASSIMA LARGH.6.9)  
(MAX WARPAGE 0.1 ONLY WITH MAX WIDTH 6.9)

SCALA NON IMPEGNATIVA  
(DO NOT SCALE)  
DIMENSIONI IN mm  
(DIMENSIONS IN mm)

METRIC

PROIEZIONE EUROPEA  
(EUROPEAN PROJECTION)

A

B

C

D

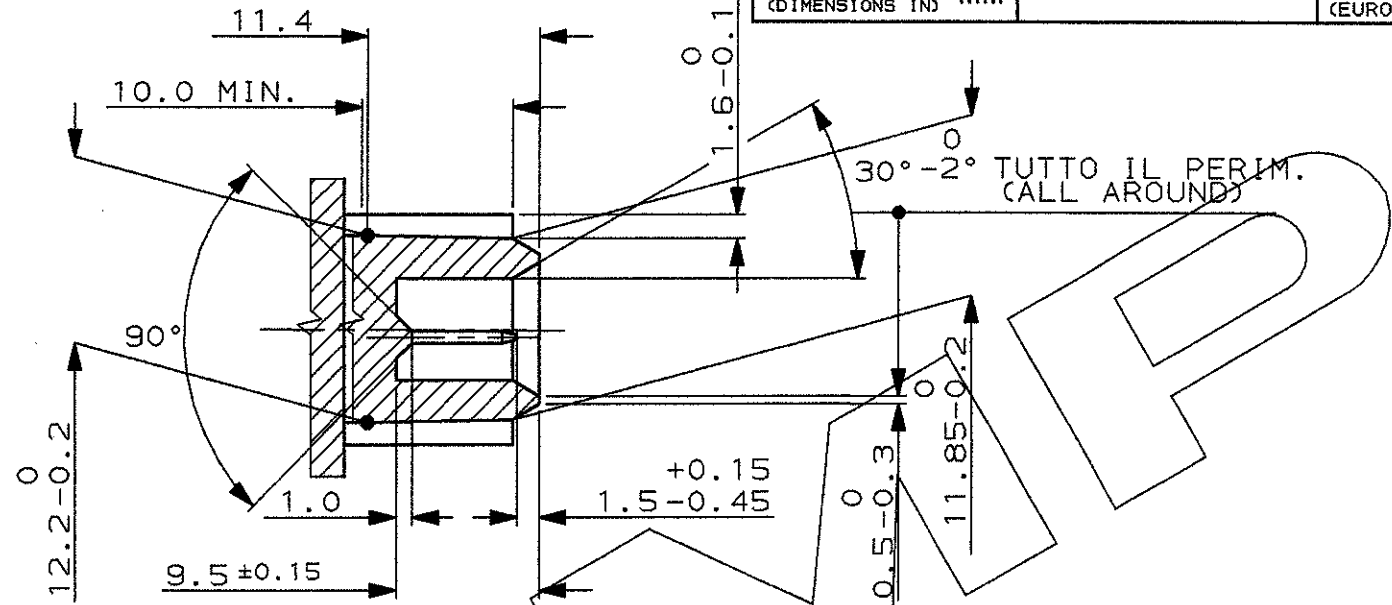
E

ASSE CONNETTORE  
CONNECTOR CENTER LINE

ASSE CAVITA'  
CAVITY CENTER LINE

FLANGIA (FLANGE)

VISTA DA 'V' (VIEW FROM 'V')



DETTAGLIO DIMENS. TAB  
(TAB DIMENSION)  
(SCALE 5:1)

FORMA ALTERNATIVA  
(ALTERNATIVE DESIGN)

DETTAGLIO X (DETAIL X)  
OPZIONALE (OPTIONAL)

4 SFERICO (SPHERICAL)

CONNETTORE 3 VIE (3 WAYS CONNECTOR)

SPESSORE UNICO OPPURE 0.4 RIPIEGATO  
(SINGLE THK OR 0.4 DOUBLE)

FINITURA / COLORE (FINISH / COLOUR)	MATERIALE (MATERIAL)	NUMERO (PART NUMBER)
--	-------------------------	-------------------------

CUSTOMER DWG. FOR REFERENCE ONLY	DISEGNO PER CLIENTE SOLO PER RIFERIMENTO
-------------------------------------	---

THIS DRAWING IS UNPUBLISHED	RELEASE FOR PUBLICATION	19
© COPYRIGHT 1986 BY AMP INCORPORATED, HARRISBURG, PA. ALL INTERNATIONAL RIGHT RESERVED. AMP PRODUCTS MAY BE COVERED BY U.S. AND FOREIGN PATENT AND/OR PATENT PENDING		

TOLLERANZE, SE NON DIVERSAMENTE SPECIFICATO (TOLERANCES, UNLESS OTHERWISE SPECIFIED)	DIAH. ISOLANTE (INS. DIA. RANGE)	RANGO FILO (WIRE RANGE)	SCALA (SCALE)
± 0.3	//	//	//

ANGOLI (ANGLES)	± 2°	<b>TE</b> TE Connectivity
--------------------	------	---------------------------

DIS. (DR.)	DESCRIZIONE (DESCRIPTION)	SPLASH PROOF CONNECTOR 3-4-5-7 POSITION ASS'Y
---------------	------------------------------	--

CONT. (CHK)	LOC.	SIZE	NUMERO (DWG NO)	REV.	FOGLIO (SHEET)
SEE SHEET 1 OF 3			IA3C-281808		2 OF 3

REV. (REV.)	REVISIONI (REVISION RECORD)	DIS. (DR)	DATA (DATE)
----------------	--------------------------------	--------------	----------------

SEE SHEET 1 OF 3

DISTRIBUZIONE  
PRINT DIST.

# CONNETTORE 5 E 7 VIE, (5 & 7 WAYS CONNECTOR)

DEFORMAZIONE MASSIMA 0.05  
(MAX WARPAGE 0.05)

DEFORMAZIONE MASSIMA 0.15 NELLA CONDIZIONE DI MASSIMA LARGH.6.9  
(MAX WARPAGE 0.1 ONLY WITH MAX WIDTH 6.9)

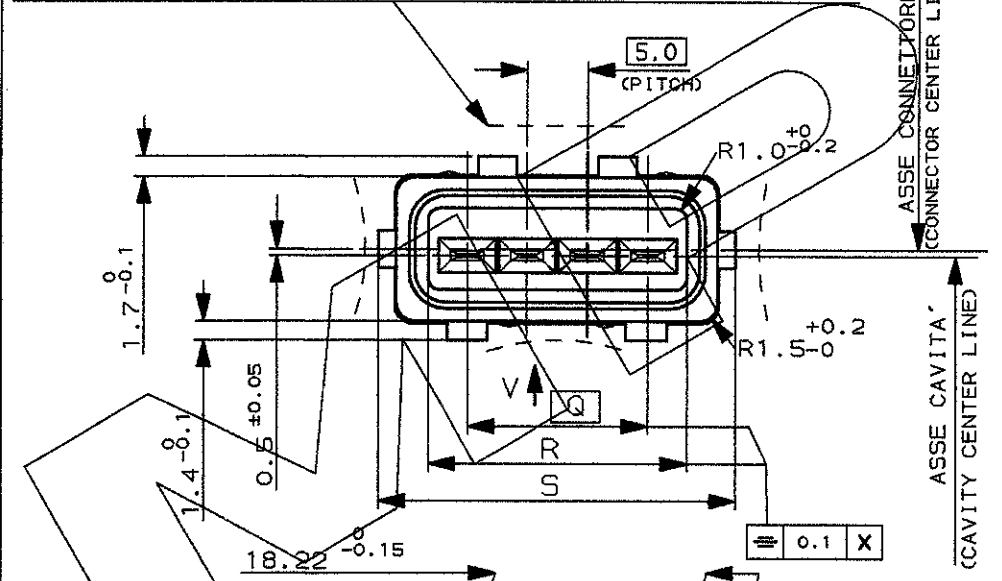
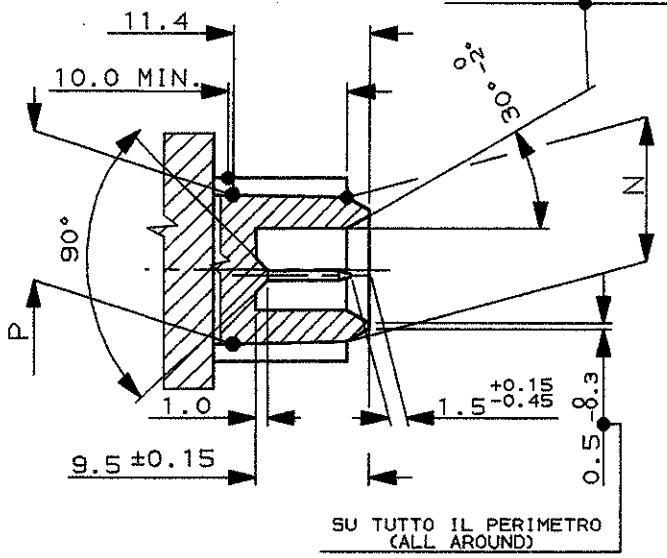
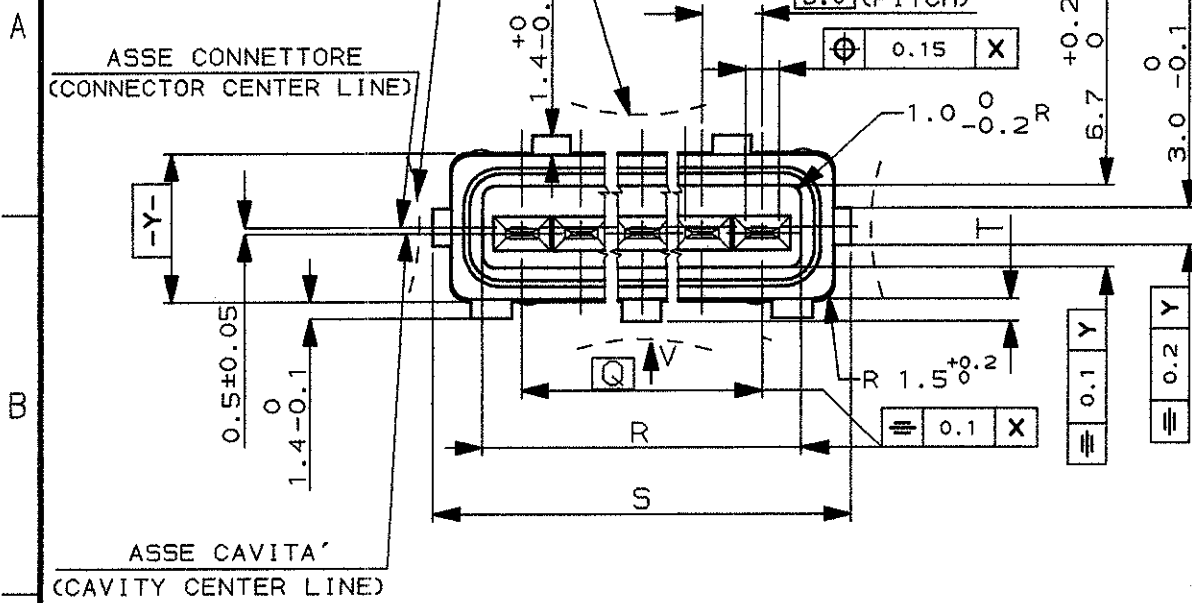
SU TUTTO IL PERIMETRO  
(ALL AROUND)

DEFORMAZIONE MASSIMA 0.1 NELLA CONDIZIONE DI MASSIMA LARGH.6.9  
(MAX WARPAGE 0.1 ONLY WITH MAX WIDTH 6.9)

SCALA NON IMPEGNATIVA  
(DO NOT SCALE)  
DIMENSIONI IN mm

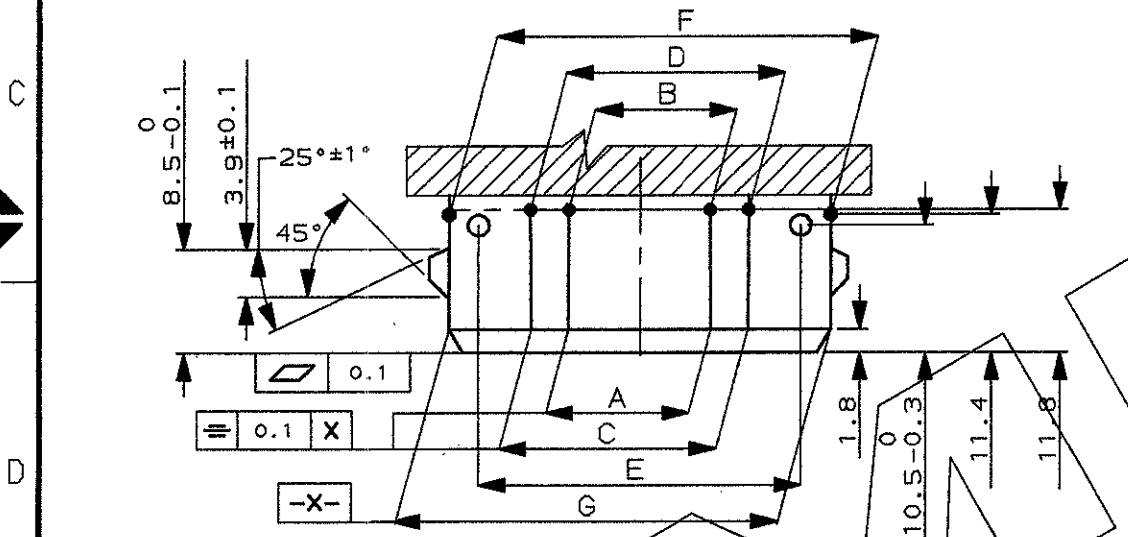
**METRIC**

PROIEZIONE EUROPEA  
(EUROPEAN PROJECTION)

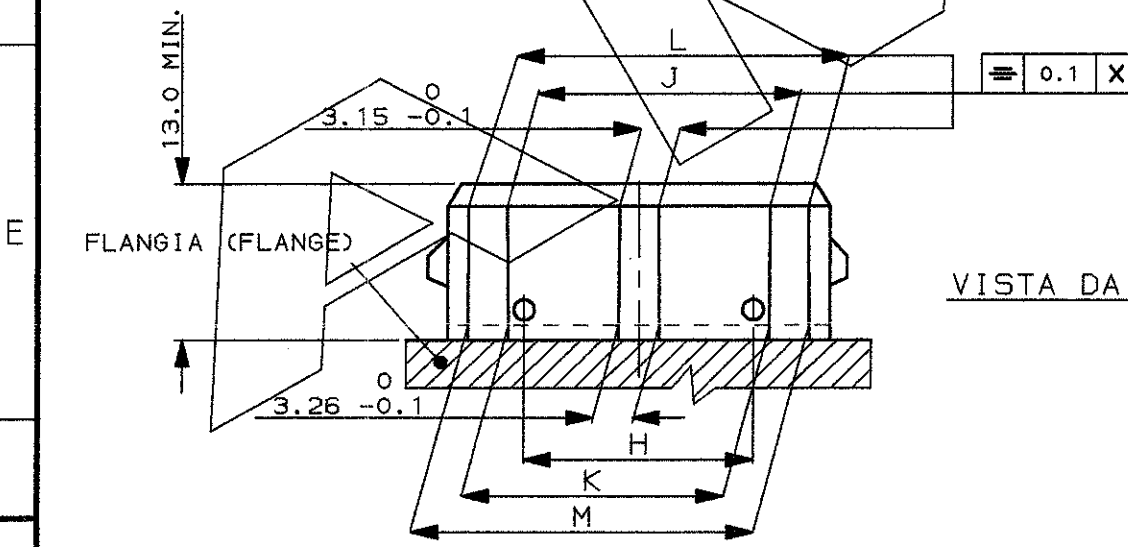


VISTA DA "V"  
(VIEW FROM "V")

# CONNETTORE 4 VIE, (4 WAYS CONNECTOR)



7	16.85	16.74	23.15	23.26	-0.4 36.8	41.82	41.65	26.0	28.8	28.69	35.2	35.31	11.8	11.97	30.0	±0.2 36.8	44.85	1.85
5	11.85	11.74	18.15	18.26	-0.3 26.8	31.82	31.65	19.0	21.8	21.69	28.2	28.31	11.8	11.97	20.0	±0.2 26.8	34.85	1.75
4	7.95	7.79	13.99	14.1	-0.3 18.0	26.82	26.65	//	//	//	//	//	11.85	12.2	15.0	±0.15 21.8	29.85	//
N°VIE (POS.)	A	B	C	D	E	F	G	H	J	K	L	M	N	P	Q	R	S	T
	+0.1 0	+0.1 0	0 -0.15	0 -0.15		0 -0.15	0 -0.15	0 -0.3	+0.15 0	+0.15 0	0 -0.15	0 -0.15	0 -0.2	0 -0.2		0 -0.2	0 -0.1	



VISTA DA "V" (VIEW FROM "V")

PER DIMENSIONE "TAB" VEDERE FOGLIO 2 DI 3.  
(FOR "TAB" DIMENSIONS SEE SHEET 2 OF 3)

FINITURA / COLORE (FINISH / COLOUR)	MATERIALE (MATERIAL)	NUMERO (PART NUMBER)
CUSTOMER DWG. FOR REFERENCE ONLY		DISEGNO PER CLIENTE SOLO PER RIFERIMENTO
THIS DRAWING IS UNPUBLISHED		RELEASE FOR PUBLICATION 19
© COPYRIGHT 1986 BY AMP INCORPORATED, HARRISBURG, PA. ALL INTERNATIONAL RIGHT RESERVED. AMP PRODUCTS MAY BE COVERED BY U.S. AND FOREIGN PATENT AND/OR PATENT PENDING		
TOLLERANZE, SE NON DIVERSAMENTE SPECIFICATO (TOLERANCES, UNLESS OTHERWISE SPECIFIED)	DIAM. ISOLANTE (INS. DIA. RANGE)	RANGO FILO (WIRE RANGE)
± 0.3	//	//
ANGOLI (ANGLES)	SCALA (SCALE)	
± 2°	//	
DIS. (DR.)	DESCRIZIONE (DESCRIPTION)	
	SPLASH PROOF CONNECTOR 3-4-5-7 POSITION ASS'Y	
CONT. (CHK)	LOC. SIZE	NUMERO (DWG NO)
APP. (APP.)	REV.	FOGLIO (SHEET)
SEE SHEET 1 OF 3	IA3C-281808 /	3 / 3

REV.	REVISIONI (REVISION RECORD)	DIS. (DR)	DATA (DATE)

PRINTING DIST.