

PART NAME

NEMA 4X PLASTIC BOX w/EXTERNAL MTG. BRKT.

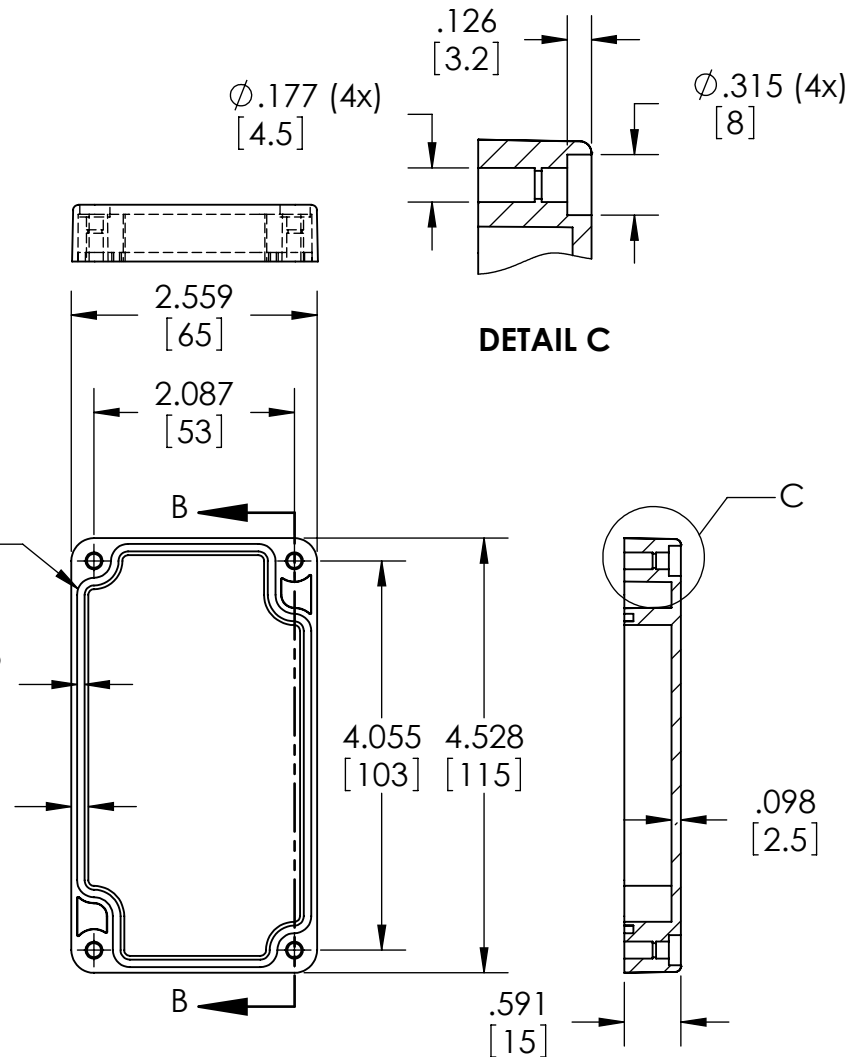
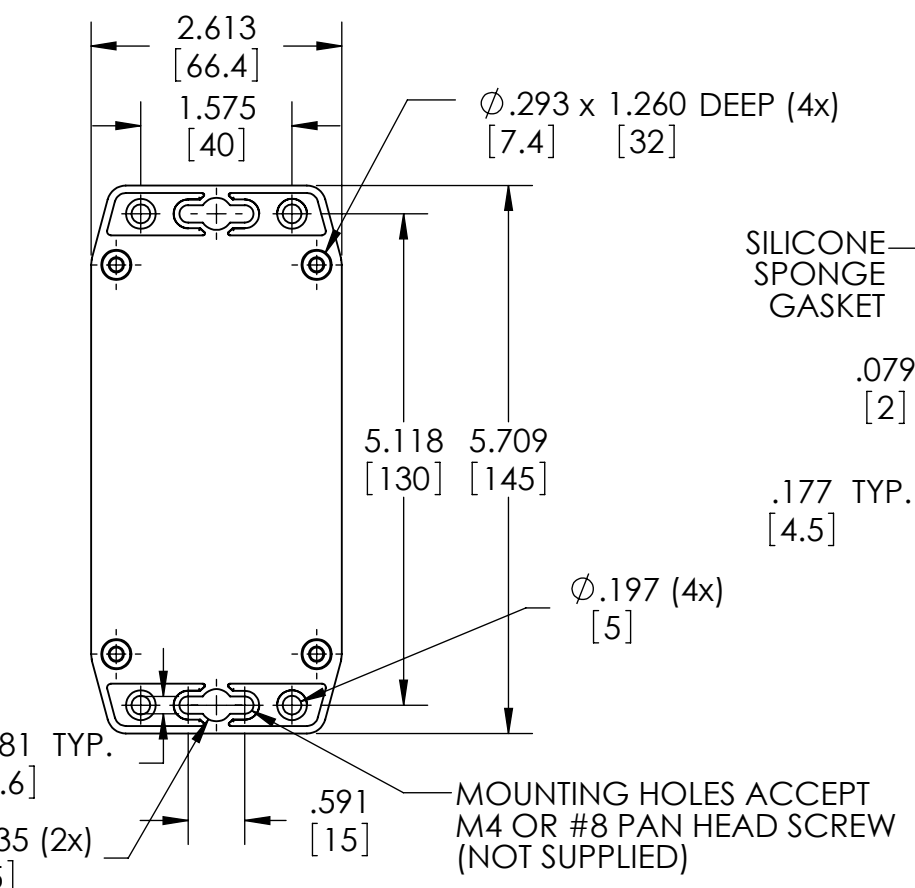
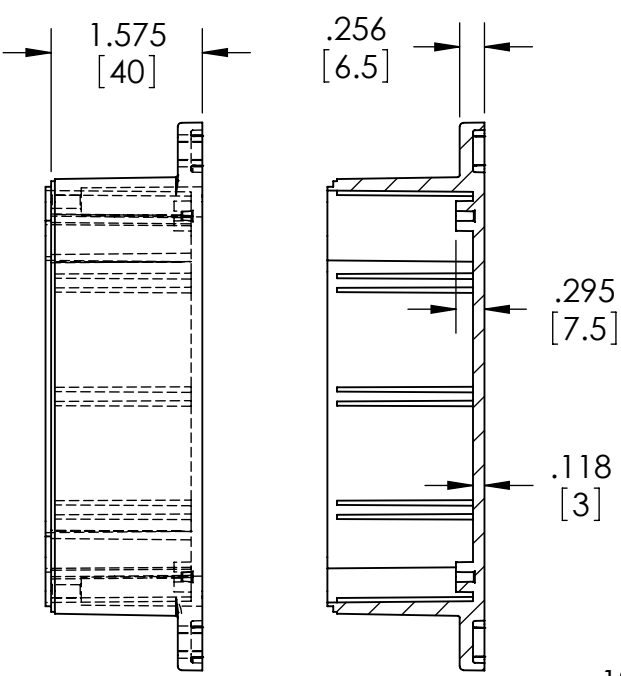
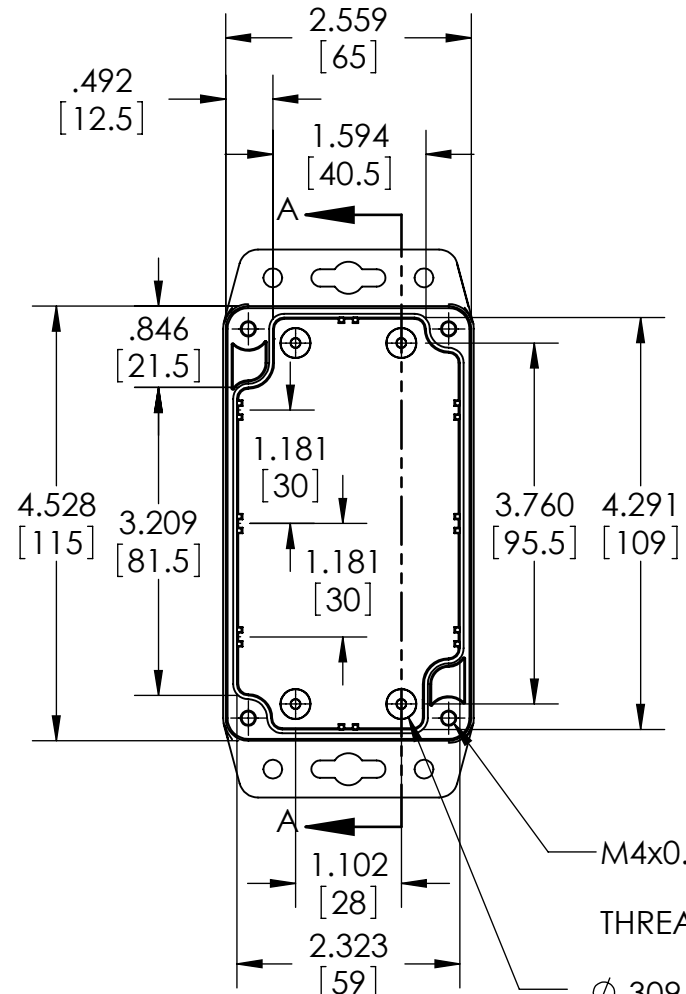
PART No.

PN-1322-MB PN-1322-CMB PN-1322-DGMB

REVISION DATE

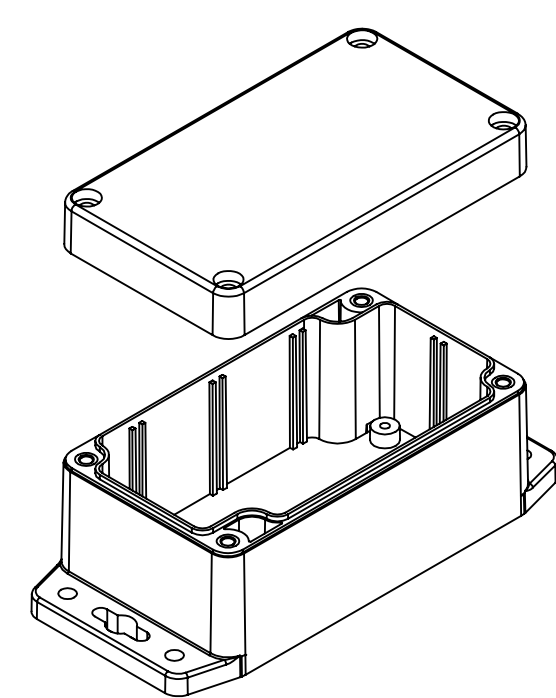
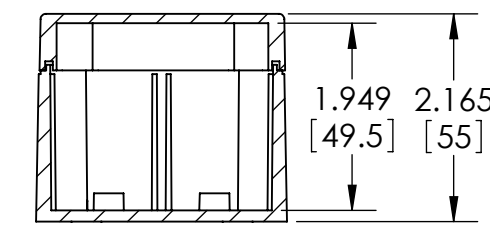
5-26-11

**MATERIAL & FINISH:**  
 (-MB SUFFIX PART NO.) POLYCARBONATE UL94-HB, UV STABILIZED, SERVICE TEMPERATURE RANGE: -40°C TO +120°C, LIGHT GRAY BODY & COVER.  
 (-CMB SUFFIX PART NO.) SAME AS -MB EXCEPT CLEAR COVER.  
 (-DGMB SUFFIX PART NO.) ABS UL94-HB, SERVICE TEMPERATURE RANGE: -40°C TO +80°C, DARK GRAY BODY & COVER.

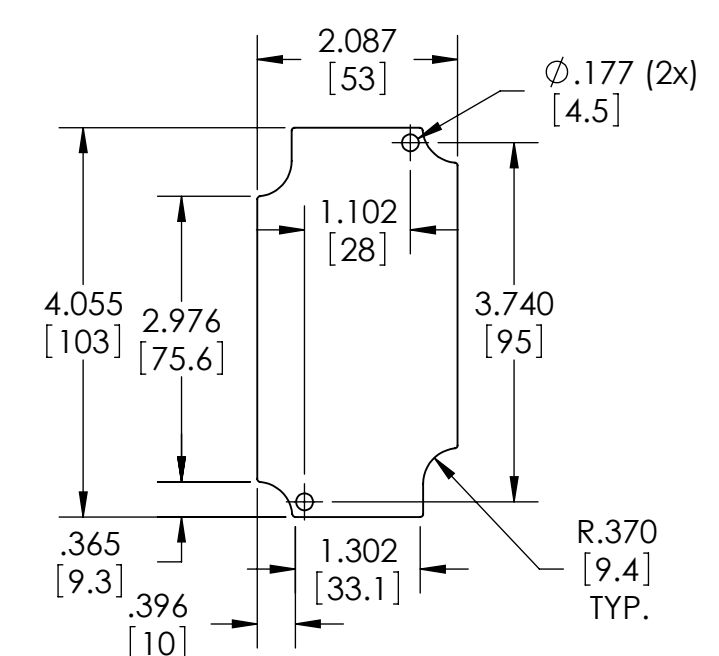


M4x0.7 x .315 LG. [8] THREADED BRASS INSERT (4x)  
 <math>\phi .309</math> BOSS WITH <math>\phi .098</math> HOLE [7.8] x .197 DEEP (4x) [5]  
 MOUNTING BOSSES ACCEPT M3 x 4mm LG. OR #4 x 3/16" LG. SELF-TAPPING SCREWS (NOT SUPPLIED)

**BODY**



**COVER**



- NOTES:**
- 1.) FOUR (4) M4x0.7 x 20mm (.787") LG. STAINLESS STEEL SCREWS SUPPLIED FOR ASSEMBLY OF COVER TO BODY.
  - 2.) BOXES DESIGNED TO MEET FOLLOWING STANDARDS: NEMA 1, 2, 4, 4X, 12, 13 AND IEC529-IP65 REQUIREMENTS.
  - 3.) ALL HOLE DIAMETERS HAVE  $\pm .005$ [.12] TOLERANCE. ALL OTHER DIMENSIONS HAVE  $\pm .015$ [.38] TOLERANCE.
  - 4.) ALL OUTSIDE DRAFT ANGLE:  $1^\circ$ . ALL INSIDE DRAFT ANGLE:  $1/2^\circ$ .