

**FEATURES**

- Differential D and Q
- Extended 100E VEE range of -4.2V to -5.5V
- VBB output for single-ended use
- 600ps max. propagation delay
- High frequency outputs
- 2 stages of gain
- Internal 75KΩ input pull-down resistors
- Fully compatible with Motorola 10E/100E416
- Available in 28-pin PLCC package

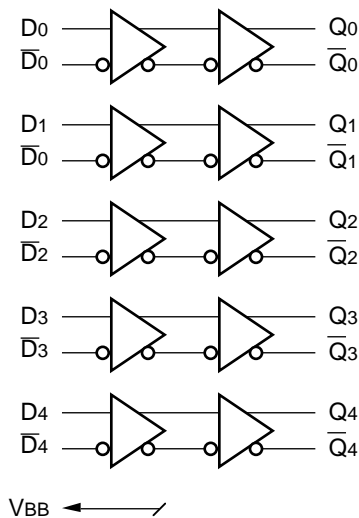
**DESCRIPTION**

The SY10/100E416 are 5-bit differential line receiving devices. The 2.0GHz of bandwidth provided by the high frequency outputs make the devices ideal for buffering of very high speed oscillators.

A VBB pin is available to AC couple an input signal to the devices.

The design incorporates two stages of gain internal to the devices, making them an excellent choice for use in high bandwidth amplifier applications.

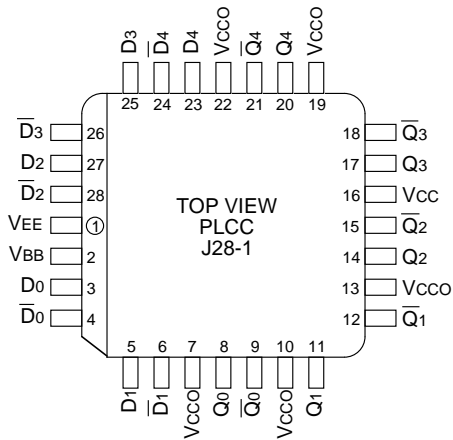
**BLOCK DIAGRAM**



**PIN NAMES**

Pin	Function
D[0:4], $\bar{D}$ [0:4]	Differential Data Inputs
Q[0:4], $\bar{Q}$ [0:4]	Differential Data Outputs
Vcco	Vcc to Output

**PACKAGE/ORDERING INFORMATION**



**28-Pin PLCC (J28-1)**

**Ordering Information<sup>(1)</sup>**

Part Number	Package Type	Operating Range	Package Marking	Lead Finish
SY10E416JI	J28-1	Industrial	SY10E416JI	Sn-Pb
SY10E416JITR <sup>(2)</sup>	J28-1	Industrial	SY10E416JI	Sn-Pb
SY100E416JI	J28-1	Industrial	SY100E416JI	Sn-Pb
SY100E416JITR <sup>(2)</sup>	J28-1	Industrial	SY100E416JI	Sn-Pb
SY10E416JC	J28-1	Commercial	SY10E416JC	Sn-Pb
SY10E416JCTR <sup>(2)</sup>	J28-1	Commercial	SY10E416JC	Sn-Pb
SY100E416JC	J28-1	Commercial	SY100E416JC	Sn-Pb
SY100E416JCTR <sup>(2)</sup>	J28-1	Commercial	SY100E416JC	Sn-Pb
SY10E416JY <sup>(3)</sup>	J28-1	Industrial	SY10E416JY with Pb-Free bar-line indicator	Matte-Sn
SY10E416JYTR <sup>(2, 3)</sup>	J28-1	Industrial	SY10E416JY with Pb-Free bar-line indicator	Matte-Sn
SY100E416JY <sup>(3)</sup>	J28-1	Industrial	SY100E416JY with Pb-Free bar-line indicator	Matte-Sn
SY100E416JYTR <sup>(2, 3)</sup>	J28-1	Industrial	SY100E416JY with Pb-Free bar-line indicator	Matte-Sn

**Notes:**

1. Contact factory for die availability. Dice are guaranteed at T<sub>A</sub> = 25°C, DC Electricals only.
2. Tape and Reel.
3. Pb-Free package is recommended for new designs.

**DC ELECTRICAL CHARACTERISTICS**V<sub>EE</sub> = V<sub>EE</sub> (Min.) to V<sub>EE</sub> (Max.); V<sub>CC</sub> = V<sub>CCO</sub> = GND

Symbol	Parameter	T <sub>A</sub> = 0°C			T <sub>A</sub> = +25°C			T <sub>A</sub> = +85°C			Unit	Condition
		Min.	Typ.	Max.	Min.	Typ.	Max.	Min.	Typ.	Max.		
V <sub>BB</sub>	Output Reference Voltage										V	—
	10E	-1.38	—	-1.27	-1.35	—	-1.25	-1.31	—	-1.19		
	100E	-1.38	—	-1.26	-1.38	—	-1.26	-1.38	—	-1.26		
I <sub>IH</sub>	Input HIGH Current	—	—	150	—	—	150	—	—	150	μA	—
I <sub>EE</sub>	Power Supply Current										mA	—
	10E	—	135	162	—	135	162	—	135	162		
	100E	—	135	162	—	135	162	—	155	186		
V <sub>PP</sub> (DC)	Input Sensitivity	50	—	—	50	—	—	50	—	—	mV	1
V <sub>CMR</sub>	Common Mode Range	-1.5	—	0	-1.5	—	0	-1.5	—	0	V	2

**Notes:**

- Differential input voltage required to obtain a full ECL swing on the outputs.
- V<sub>CMR</sub> is referenced to the most positive side of the differential input signal. Normal operation is obtained when the input signals are within the V<sub>CMR</sub> range and the input swing is greater than V<sub>PP</sub> (min.) and <1V.

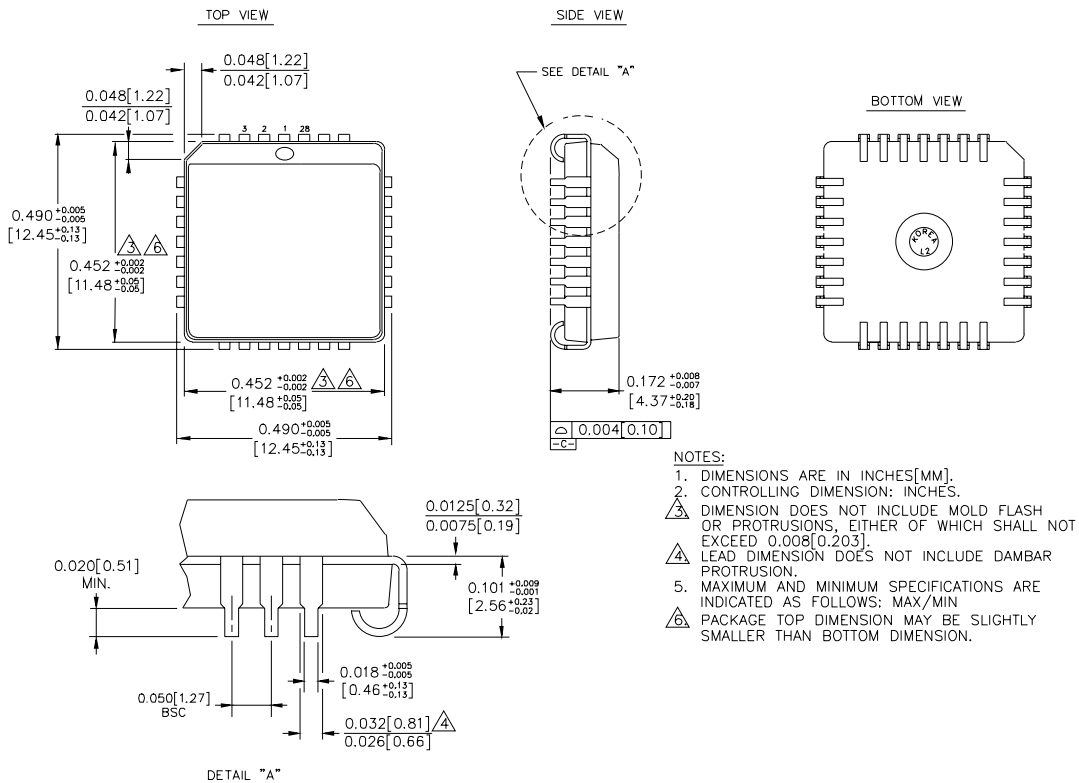
**AC ELECTRICAL CHARACTERISTICS**V<sub>EE</sub> = V<sub>EE</sub> (Min.) to V<sub>EE</sub> (Max.); V<sub>CC</sub> = V<sub>CCO</sub> = GND

Symbol	Parameter	T <sub>A</sub> = 0°C			T <sub>A</sub> = +25°C			T <sub>A</sub> = +85°C			Unit	Condition
		Min.	Typ.	Max.	Min.	Typ.	Max.	Min.	Typ.	Max.		
t <sub>PD</sub>	Propagation Delay to Output D (Diff) D (SE)	250 200	350 350	500 550	250 200	350 350	500 550	250 200	350 350	500 550	ps	—
t <sub>skew</sub>	Within-Device Skew	—	50	—	—	50	—	—	50	—	ps	1
t <sub>skew</sub>	Duty Cycle Skew, t <sub>PLH</sub> –t <sub>PHL</sub>	±10			±10			±10			ps	2
V <sub>PP</sub> (AC)	Minimum Input Swing	150	—	—	150	—	—	150	—	—	mV	3
t <sub>r</sub> t <sub>f</sub>	Rise/Fall Time 20–80%	100	200	350	100	200	350	100	200	350	ps	—

**Notes:**

- Within-device skew is defined as identical transitions on similar paths through a device.
- Duty cycle skew defined only for differential operation when the delays are measured from the cross point of the inputs to the cross point of the outputs.
- Minimum input swing for which AC parameters are guaranteed.

**28-PIN PLCC (J28-1)**



Rev. 03

**MICREL, INC. 2180 FORTUNE DRIVE SAN JOSE, CA 95131 USA**

TEL + 1 (408) 944-0800 FAX + 1 (408) 474-1000 WEB <http://www.micrel.com>

The information furnished by Micrel in this data sheet is believed to be accurate and reliable. However, no responsibility is assumed by Micrel for its use. Micrel reserves the right to change circuitry and specifications at any time without notification to the customer.

Micrel Products are not designed or authorized for use as components in life support appliances, devices or systems where malfunction of a product can reasonably be expected to result in personal injury. Life support devices or systems are devices or systems that (a) are intended for surgical implant into the body or (b) support or sustain life, and whose failure to perform can be reasonably expected to result in a significant injury to the user. A Purchaser's use or sale of Micrel Products for use in life support appliances, devices or systems is at Purchaser's own risk and Purchaser agrees to fully indemnify Micrel for any damages resulting from such use or sale.

© 2006 Micrel, Incorporated.