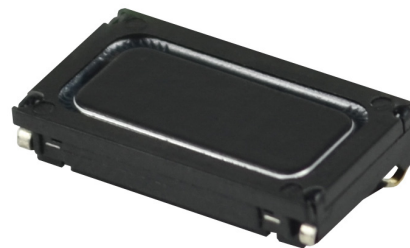


MODEL: CMS-160916-30-SP | **DESCRIPTION:** SPEAKER

FEATURES

- micro-speaker
- small footprint
- spring leads

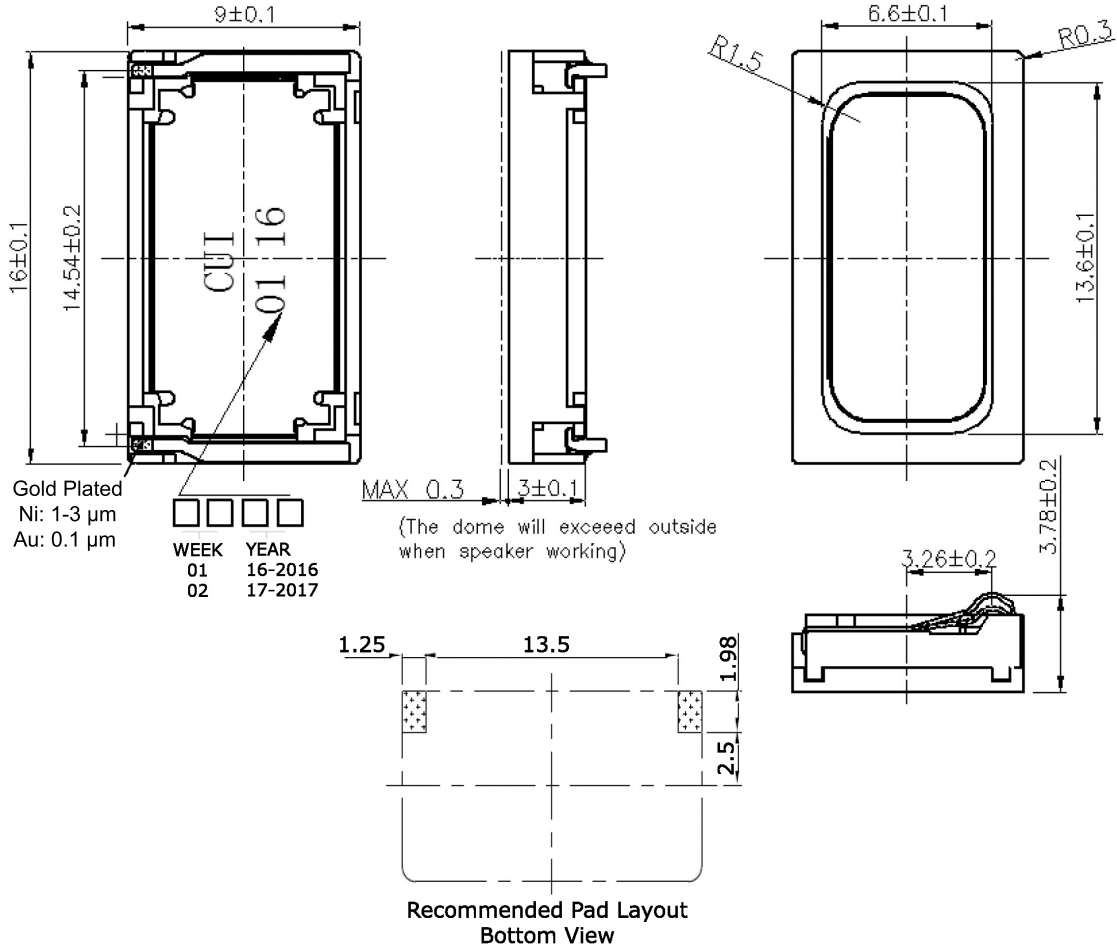

SPECIFICATIONS

| parameter | conditions/description | min | typ | max | units |
|-------------------------|---|------------|------------|------------|--------------------|
| input power | maximum power: IEC-60268-5, filter 60s on/120s off, 10 cycles at room temp in 1 cc closed box | | 0.8 | 1.0 | W |
| impedance | at 2.0 kHz, 1.0 V | 5.1 | 6.0 | 6.9 | Ω |
| resonant frequency (Fo) | at 1.0 V at 1.0 V in 1 cc closed box | 400 723 | 500 850 | 600 978 | Hz Hz |
| frequency response | output SPL ± 10 dB | Fo | | 20,000 | Hz |
| sound pressure level | at 0.8 W, 0.1 m ave, at 2.0 kHz in 1 cc closed box | 89 | 92 | 95 | dB |
| distortion | at 1.0 kHz, 0.8 W | | | 10 | % |
| buzz, rattle, etc. | must be normal at sine wave between Fo ~ 20 kHz in 1 cc closed box | | 2.2 | | V |
| polarity | cone will move forward with positive dc current to "+" terminal | | | | |
| dimensions | 16.0 x 9.0 x 3.0 | | | | mm |
| magnet | Nd-Fe-B | | | | |
| material | PPA | | | | |
| cone material | mylar | | | | |
| terminal | spring contact | | | | |
| weight | | | 1.4 | | g |
| operating temperature | | -20 | | 60 | $^{\circ}\text{C}$ |
| storage temperature | | -40 | | 85 | $^{\circ}\text{C}$ |
| RoHS | 2011/65/EU | | | | |

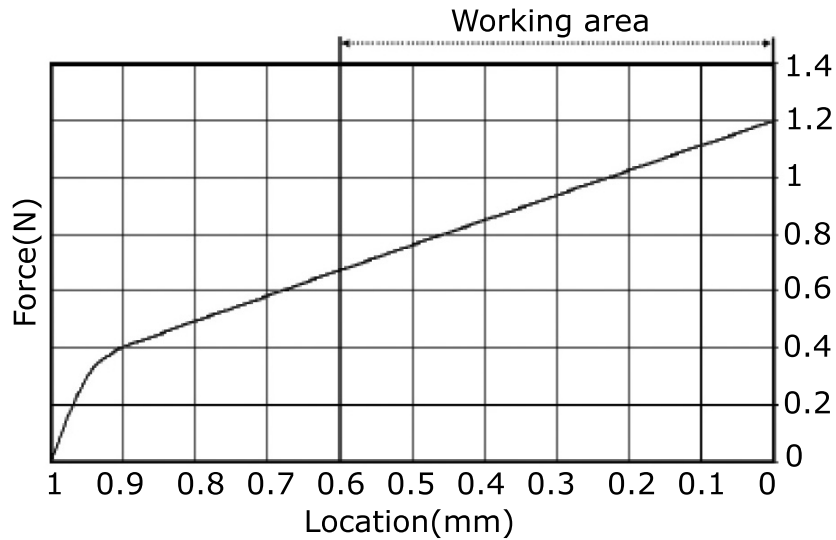
Notes: 1. All specifications measured at 5~35 $^{\circ}\text{C}$, humidity at 45~85%, under 86~106 kPa pressure, unless otherwise noted.

MECHANICAL DRAWING

units: mm
tolerance: ±0.2 mm

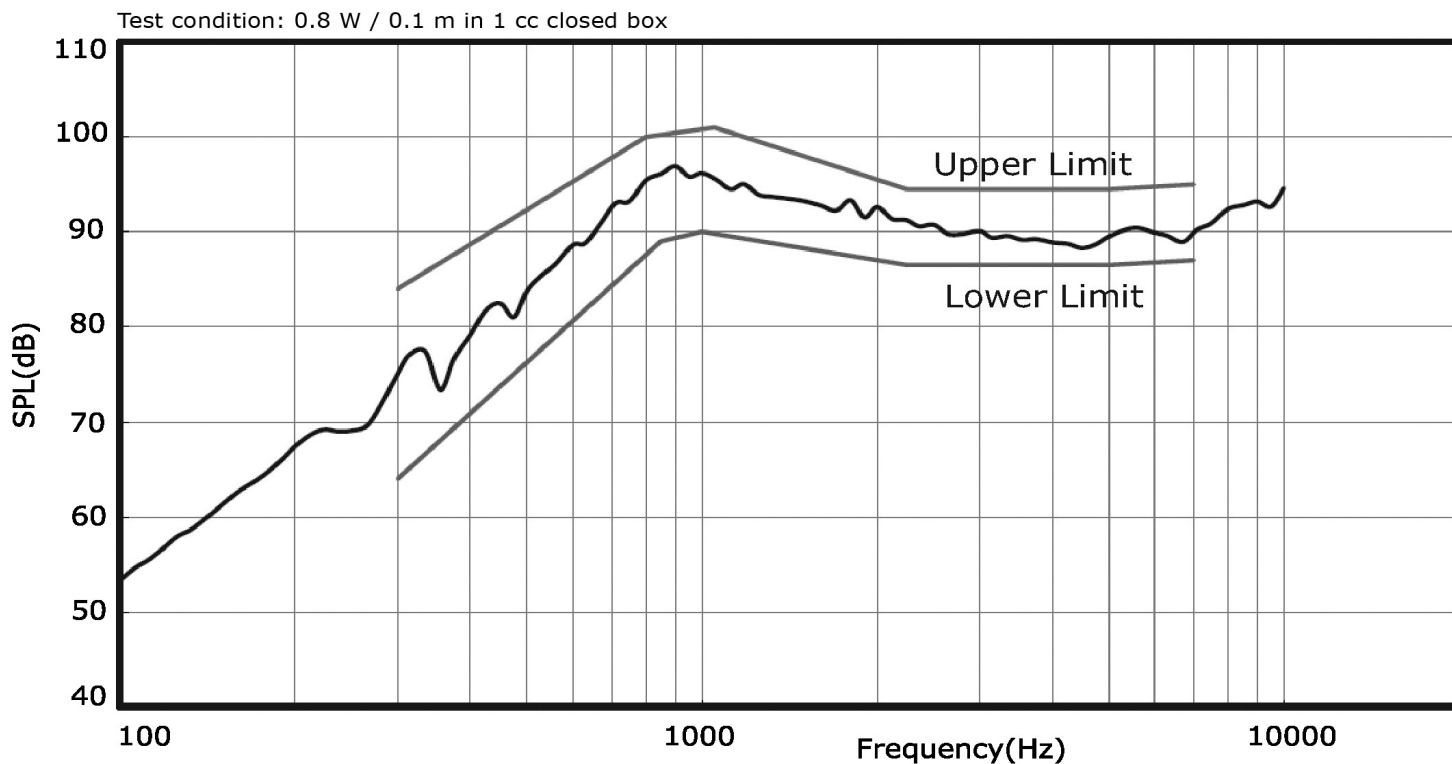


Force Progression Of One Spring Contact

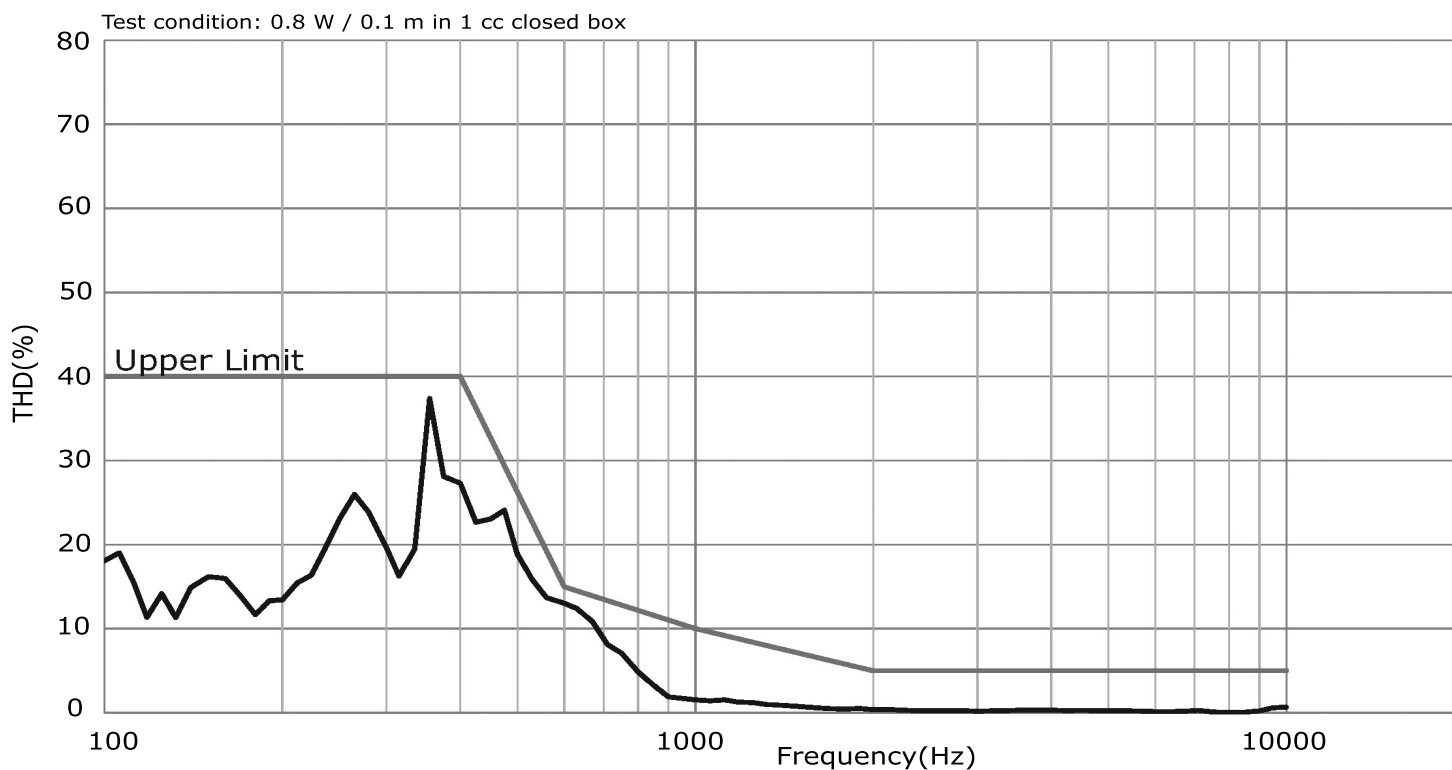


RESPONSE CURVES

Frequency Response Curve



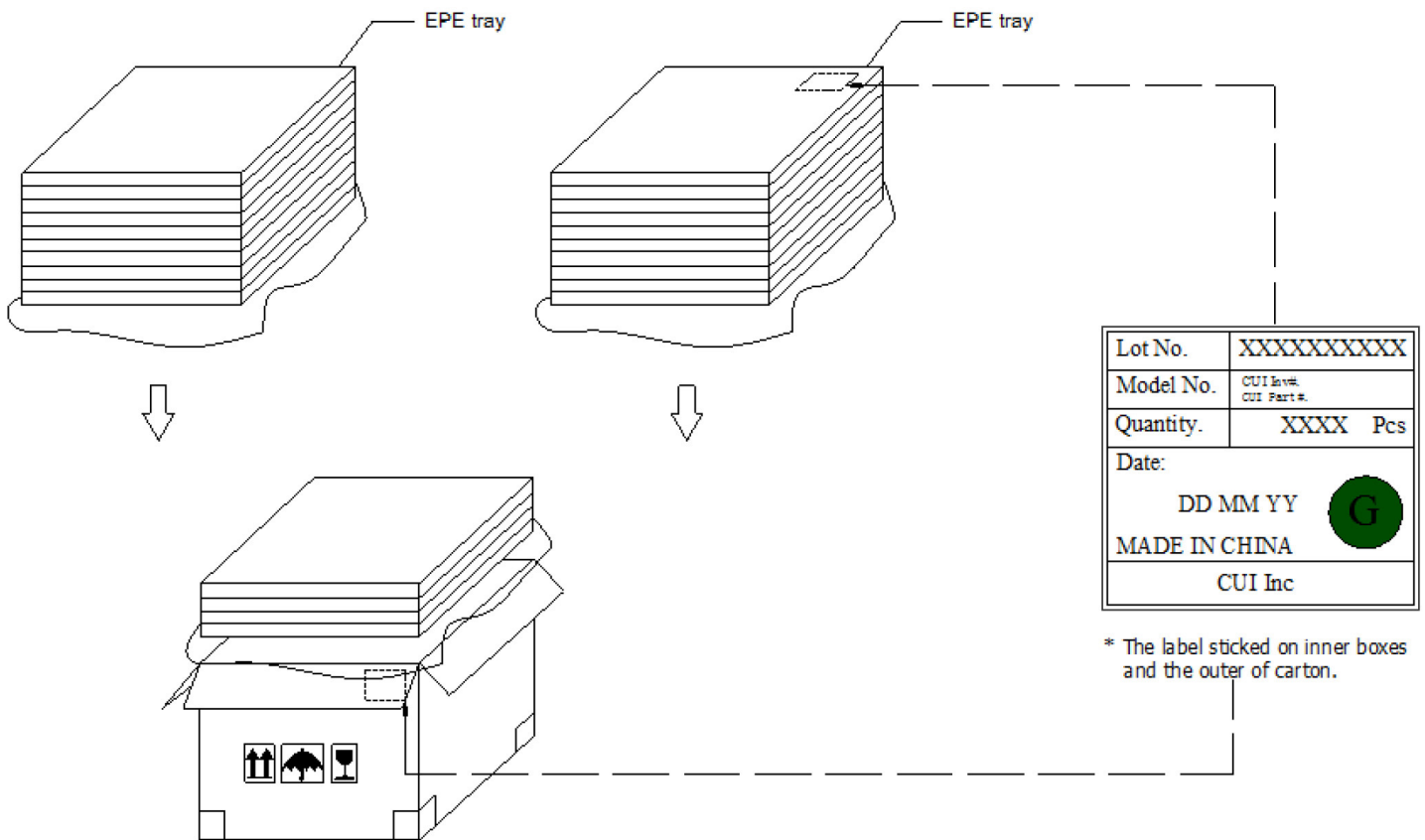
Total Harmonic Distortion Curve



PACKAGING

units: mm

Tray Size: 360 x 225 x 9 mm
 Carton Size: 375 x 240 x 260 mm
 Tray QTY: 100 pcs per tray
 Carton QTY: 2,000 pcs per carton



REVISION HISTORY

| rev. | description | date |
|------|-----------------|------------|
| 1.0 | initial release | 10/12/2016 |

The revision history provided is for informational purposes only and is believed to be accurate.



CUI INC[®]

Headquarters
20050 SW 112th Ave.
Tualatin, OR 97062
800.275.4899

Fax 503.612.2383
cui.com
techsupport@cui.com

CUI offers a one (1) year limited warranty. Complete warranty information is listed on our website.

CUI reserves the right to make changes to the product at any time without notice. Information provided by CUI is believed to be accurate and reliable. However, no responsibility is assumed by CUI for its use, nor for any infringements of patents or other rights of third parties which may result from its use.

CUI products are not authorized or warranted for use as critical components in equipment that requires an extremely high level of reliability. A critical component is any component of a life support device or system whose failure to perform can be reasonably expected to cause the failure of the life support device or system, or to affect its safety or effectiveness.