

TRANSFORMER, POWER, PCB 5.0VA
DUAL PRIMARIES AND DUAL SECONDARIES

1. ELECTRICAL SPECIFICATIONS:

A. Input Voltage and Frequency:

115/230V @ 50/60 Hz

B. Secondary Voltage: See Electrical Table

C. Temperature Rise: 95° C MAX allowed.

D. Insulation Resistance:

100M OHM MIN @ 500VDC. PRI to SEC. PRI to CORE

100M OHM MIN @ 500VDC. SEC. to CORE

E. Hi-Pot: 4200Vrms 1 minute @ Pri. to Sec.

4200Vrms 1 minute @ Pri. to Core

4200Vrms 1 minute @ Sec. to Core

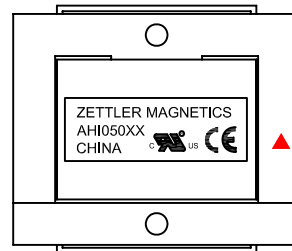
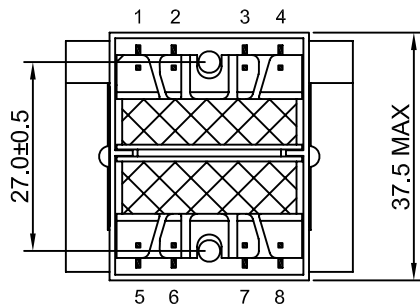
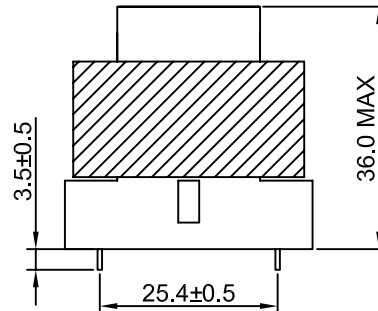
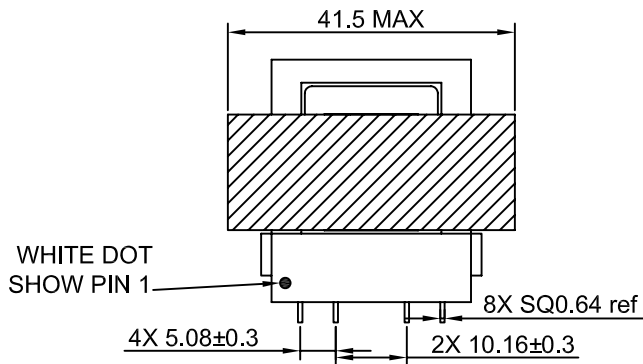
F. Safety:

Insulation System Designation ZM130-7, Class B, UL File No.177235

▲ UL5085-1,3, Class 2/3, US and Canada, UL File No.E214561

CE Declaration of Conformity: IEC EN61558-1

2. MECHANICAL SPECIFICATIONS:



PAGE REV	DESCRIPTION	DATE	BY
A0	CREATED	2002-08-23	ZHENG
B0	Updated PCD	2012-09-14	ye
B1	Updated PCD	2014-01-24	ye
B2	Modify MECHANICAL SPECIFICATIONS	2014-05-06	ye
B3	Modify ELECTRICAL SPECIFICATIONS, Modify Pin length from "4.75 min" to "3.5±0.5"	2014-07-04	ye
B4	Modify ELECTRICAL SPECIFICATIONS	2014-07-09	ye
B5	Modify ELECTRICAL SPECIFICATIONS	2015-02-06	ye
B6	Modify Temperature Rise from 45 to 95° C max	2015-07-16	ye
B7	Add UL Mark; Modify 1.F. Safety	2015-10-09	ye

UNIT MM	TOLERANCE X.X = ±0.5 X.XX = ±0.3 ANG = -
3RD ANGLE 	
SCALE:	DATA
DRAWN: ye	2015-10-09
CHECKED:	
APPROVED:	

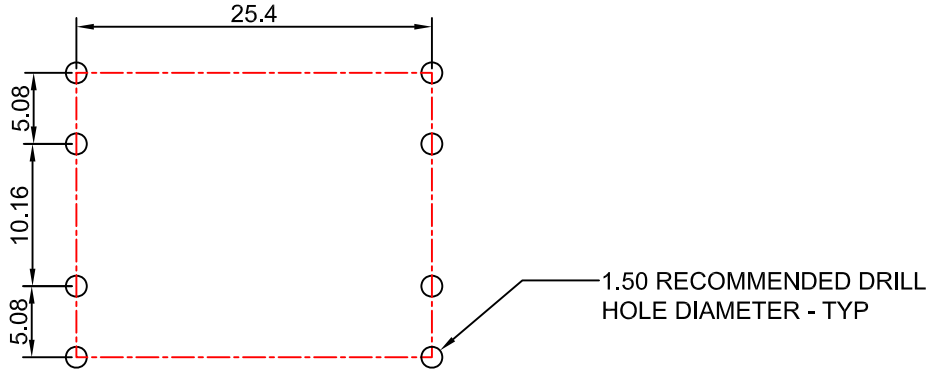
ZETTLER MAGNETICS

TITLE: POWER TRANSFORMER, PCB 5.0VA		ZM Project:	SPEC REV: B/7
PART NO: AH1050 SERIES		Customers p/n:	SH NO: 1/2

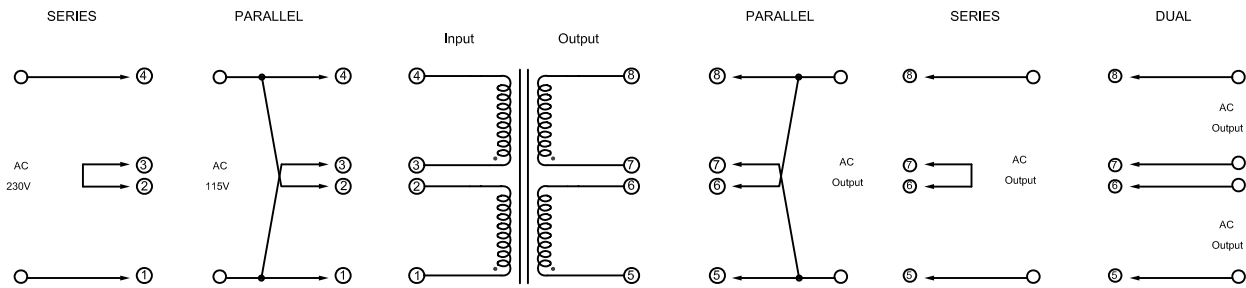
Web: www.zettlermagnetics.com
 E-mail: sales@zettlermagnetics.com

PAGE REV	DESCRIPTION	DATE	BY
A0	CREATED	2002-08-23	ZHENG
B0	Updated PCD	2012-09-14	ye
B1	Updated PCD	2014-01-24	ye
B3	Add dual output to ELECTRICAL TABLE	2014-07-04	ye
B6	Remove dual output to ELECTRICAL TABLE	2015-07-16	ye

3. MOUNTING FOOTPRINT:



4. SCHEMATIC DIAGRAM:



5. ELECTRICAL TABLE:

INPUT	SERIES (230V) / PARALLEL (115V)			
	PARALLEL CONNECTION		SERIES CONNECTION	
PART NO.	AC VOLTS	RMS AMPS	AC VOLTS	RMS AMPS
AHI05010	5V	1.0A	10V	0.5A
AHI05012	6.3V	0.8A	12.6V	0.4A
AHI05016	8V	0.6A	16V	0.3A
AHI05020	10V	0.5A	20V	0.25A
AHI05024	12V	0.42A	24V	0.21A
AHI05028	14V	0.36A	28V	0.18A
AHI05036	18V	0.28A	36V	0.14A

UNIT MM	TOLERANCE X.X = ±0.5 X.XX = ±0.3 ANG = -
3RD ANGLE 	
SCALE:	DATA
DRAWN: ye	2015-10-09
CHECKED:	
APPROVED:	

ZETTLER MAGNETICS

TITLE: POWER TRANSFORMER, PCB 5.0VA		ZM Project:		SPEC REV: B/7
PART NO: AHI050 SERIES		Customers p/n:		SH NO: 2/2

Web: www.zettlermagnetics.com
E-mail: sales@zettlermagnetics.com