

PART NAME: KNOB

SCALE: 1:1

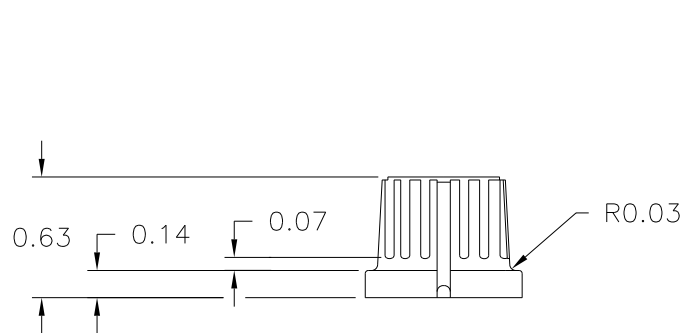
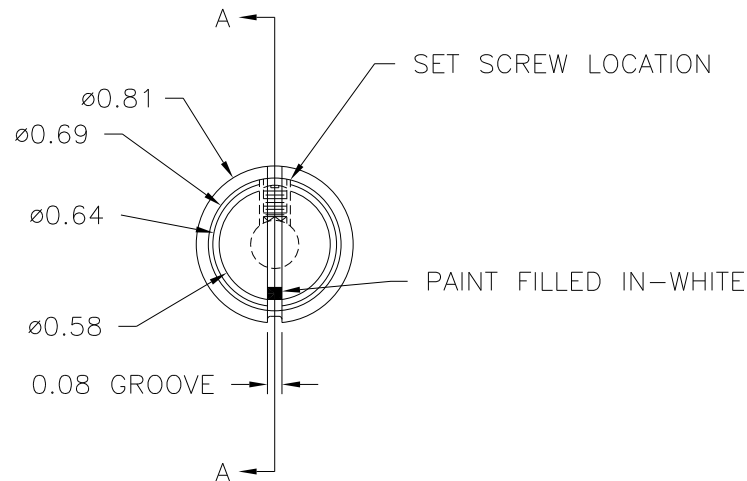
DATE: 8/10/94

DR. BY HD

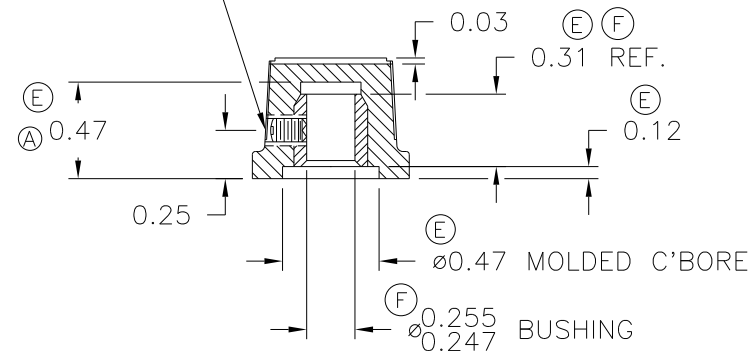
DAVIES MOLDING COMPANY
CAROL STREAM, ILLINOIS 60188

P/N 1145

THIS DRAWING IS THE PROPERTY OF DAVIES MOLDING COMPANY, IS SUBMITTED SOLELY AS A DESIGN OR ENGINEERING PROJECT.
WE ACCEPT NO RESPONSIBILITY WHATSOEVER FOR THE PRACTICAL APPLICATION OF THE PIECES MADE TO THIS DESIGN.



(C) (D) (F)
M4 X 0.7 X 4 LG.
SLOTTED TYPE SET SCREW



MATERIAL: INJ. PHENOLIC
COLOR: BLACK

(C)

F	4 WAS 6 0.31 WAS 0.35 I.D. WAS 0.25	JAM	3/22/16
E	CORRECTED DIMS, 0.47 WAS 0.50 0.35 REF. WAS 0.38 0.12 WAS 0.06 0.47 WAS 0.50	JAM	9/19/07
D	REMOVED ALTERNATE SET SCREW	JAM	8/6/01
C	ALTERNATE WAS METRIC	JAM	6/5/01
B	WAS SOCKET	ST	2/21/2000
A	Deleted .010R Add 1/2 dim.	RP	7/9/97

TOLERANCES: UNLESS OTHERWISE SPECIFIED	DO NOT SCALE DRAWING
DECIMALS: X.XXX ± .005 X.XX ± .015	MM: X.XX ± 0.15MM X.X ± 0.4MM
FRACTIONS ± 1/64	ANG. ± 1°

CHANGES