

NX3215SA

For OA / AV / Mobile Communication / Automotives

■ Features

- Compact, thin, and light weight tuning fork crystal unit.
- Excellent heat resistance and environmental characteristics.
- RoHS compliant. These can meet the requirements of re-flow profiling using lead-free solder.
- Use a metal lid: Excellent shock resistance during chip mounting process comparing to a glass lid.
- Excellent electric performance optimum for mobile communications, OA (office automation) and AV (audiovisual) applications are exhibited. (For OA / AV / Mobile Communication)
- Conforms to AEC-Q200. (For Automotives)



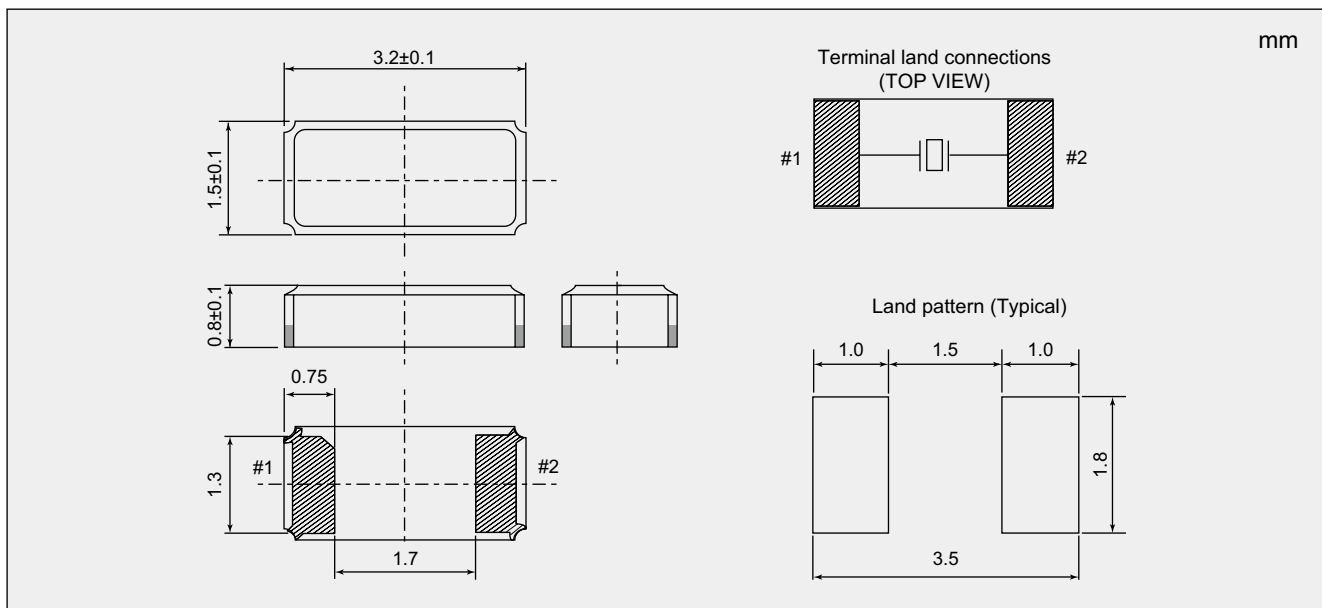
Pb Free

RoHS Compliant
Directive 2011/65/EU

■ Specifications

Item	Model			
	NX3215SA			
Main Application	For OA / AV / Mobile Communication		For Automotive	
Nominal Frequency	32.768kHz			
Operating Temperature Range	-40 to +85°C		-40 to +125°C	
Storage Temperature Range	-40 to +85°C		-40 to +125°C	
Level of Drive	0.1μW (Max. 0.5μW)			
Frequency Tolerance (25 ±3 °C)	±20 × 10 ⁻⁶			
Turning Point	+25°C ± 5°C			
Temperature Coefficient	-0.04 × 10 ⁻⁶ /°C ² Max.			
Load Capacitance	6.0pF	9.0pF	12.5pF	12.5pF
Equivalent Series Resistance	Max. 70kΩ		Max. 80kΩ	
Shunt Capacitance	Typ. 1.0pF / Max. 1.5pF			
Insulation Resistance	Min. 500MΩ			
Specifications Number	STD-MUA-14	STD-MUA-9	STD-MUA-8	STD-MUS-2

■ Dimensions



Please specify the model name, frequency, and specification number when you order products.
For further questions regarding specifications, please feel free to contact us.