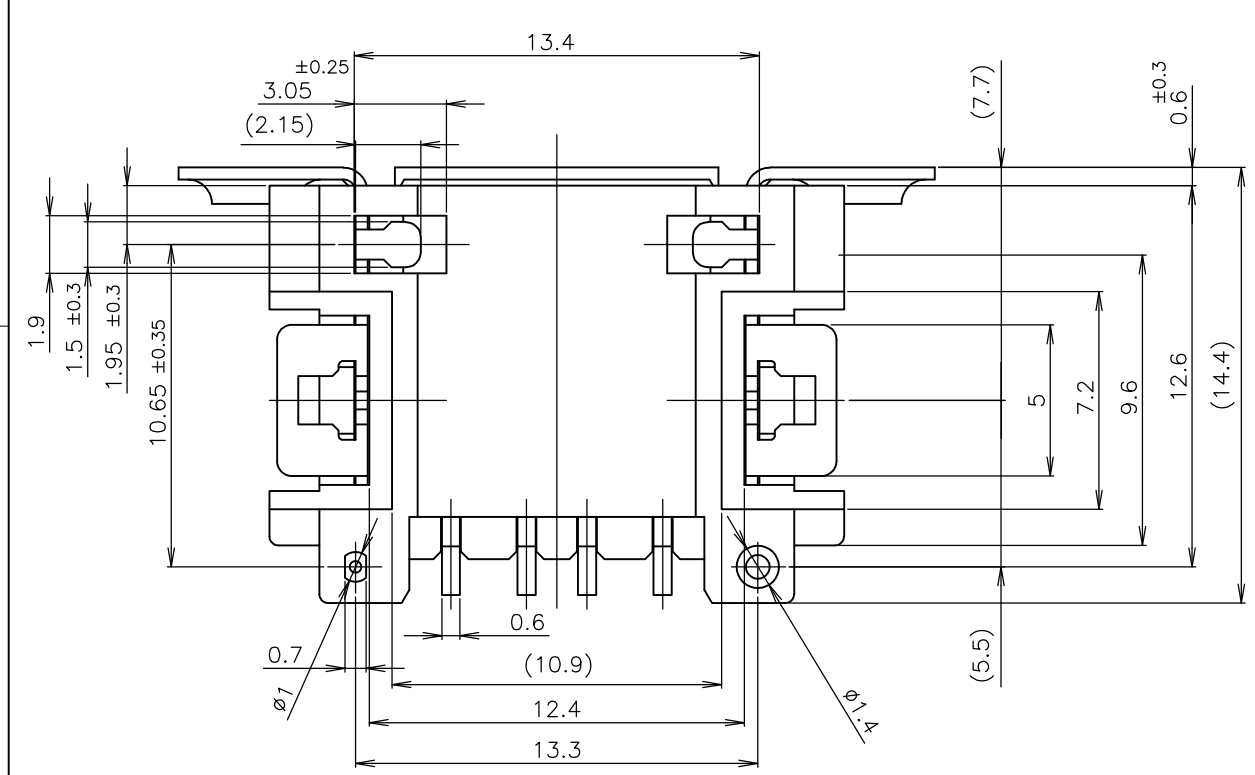
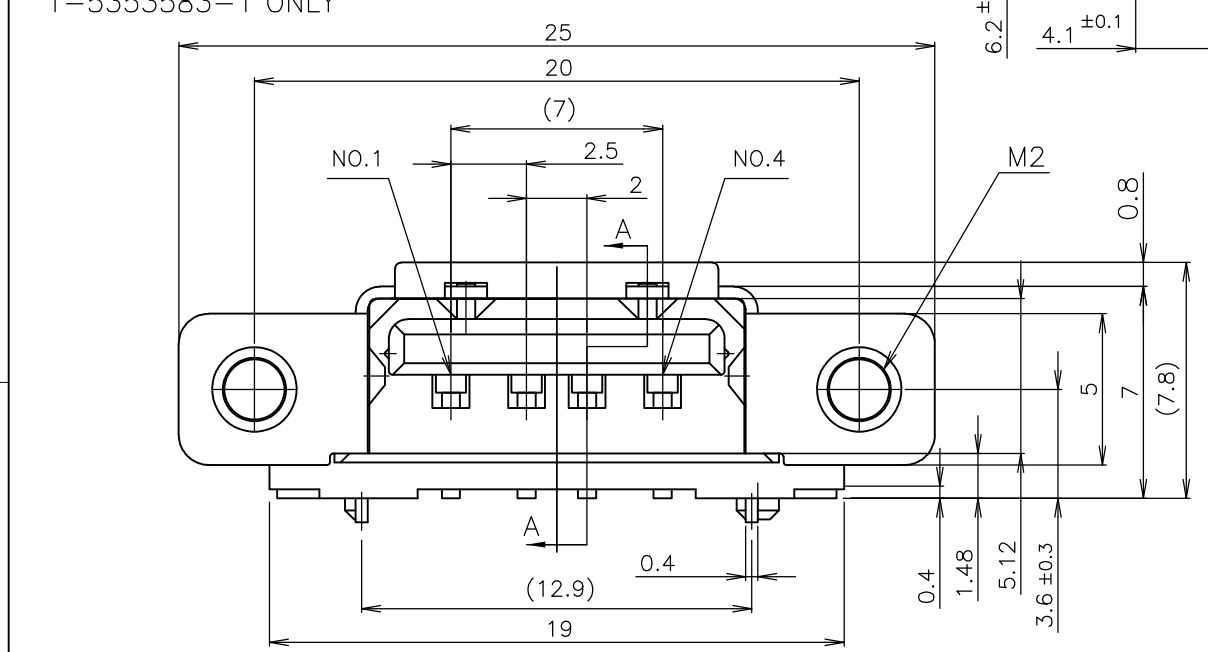
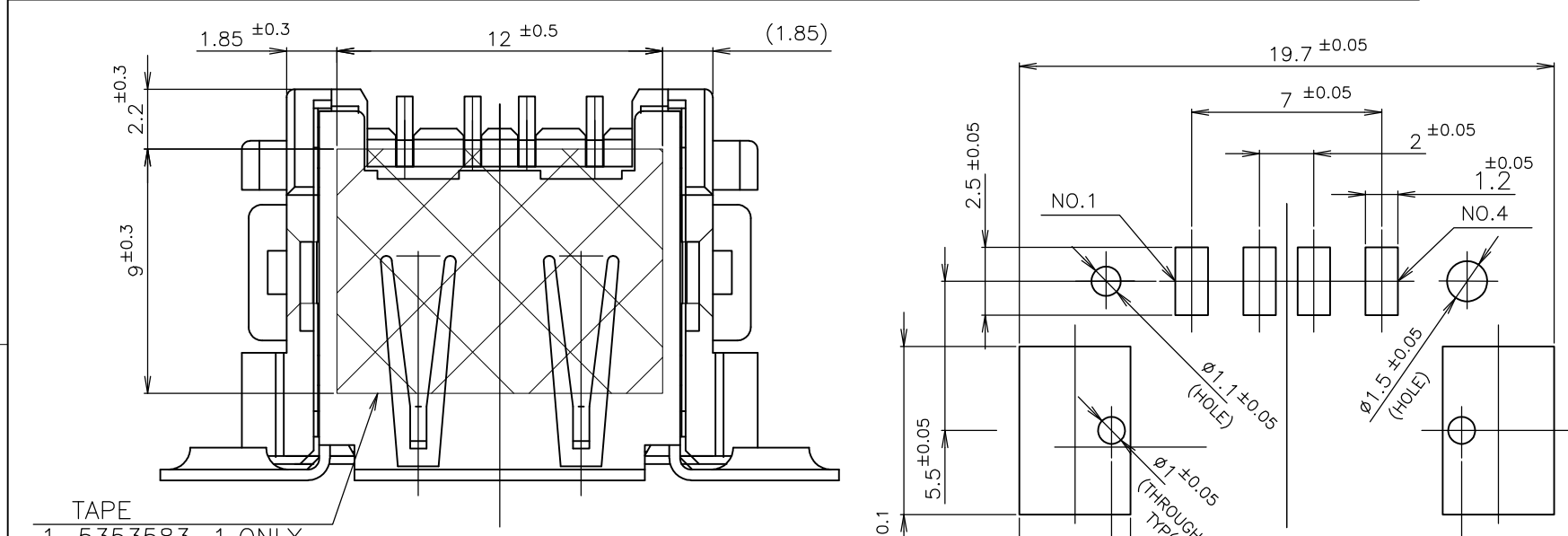
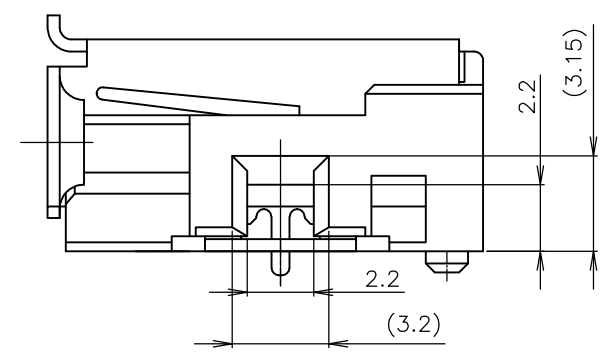


THIS DRAWING IS UNPUBLISHED. RELEASED FOR PUBLICATION
 © COPYRIGHT - By - ALL RIGHTS RESERVED.

LOC	DIST	REVISIONS			
P	LTR	DESCRIPTION	DATE	DWN	APVD
ES	00	A1	REVISED PER ECO-11-005033	29MAR11	RK HMR

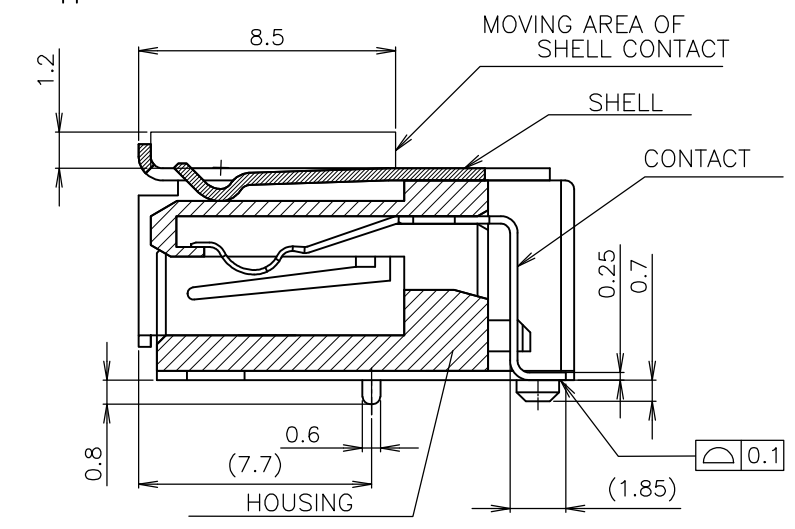


REFERENCE DIMENSION OF P.C.BOARD(MOUNTING SIDE)



NOTES

- MATERIAL & FINISH
 CONTACT: COPPER ALLOY
 Au PL. ON Pd-Ni PL. AT CONTACT AREA OVER Ni PL.
 MATTE TIN PL. AT TINE AREA OVER Ni PL.
 HOUSING: THERMO-PLASTICS, UL94V-0
 SHELL: COPPER ALLOY, TIN PL.
- GENERAL TOLERANCE
 10 ≥ ±0.2
 30 ≥ >10 ±0.25
 100 ≥ >30 ±0.3
 ANGLES ±5°
- MATERIAL/PARTS WHICH ARE CONTAINED THE PROHIBITION
 SUBSTANCE FOR ENVIRONMENTAL RELATED SUBSTANCE CONTROL
 STANDARD EN-022 (ENVIRONMENT RELATED SUBSTANCE)
 MUST NOT USE IN PRODUCT AND MANUFACTURING PROCESS
- CADMIUM CONTENT: 5ppm UNDER



5353583-1,2

REMARKS	HOUSING COLOR	PART NO.
WITH TAPE	BLACK	1-5353583-4
WITH OUT TAPE	BLACK	5353583-4
PRELIMINARY NOT FOR PRODUCTION	WHITE	5353583-3
PRELIMINARY NOT FOR PRODUCTION	BLACK	5353583-2
WITH TAPE	WHITE	1-5353583-1
WITH OUT TAPE	WHITE	5353583-1

THIS DRAWING IS A CONTROLLED DOCUMENT.		DWN	J.JIANG	23MAR04	TE Connectivity RECEPACLE ASS'Y R/A SMT STANDARD TYPE USB CONNECTOR			
DIMENSIONS: MM		CHK	S.YAO	23MAR04				
TOLERANCES UNLESS OTHERWISE SPECIFIED:		APVD	T.SASAKI	23MAR04				
0 PLC ± 1 PLC ± 2 PLC ± 3 PLC ± 4 PLC ± ANGLES ± FINISH ±		NAME						
MATERIAL		APPLICATION SPEC			SIZE	CAGE CODE	DRAWING NO	RESTRICTED TO
1		WEIGHT			A3	00779	C-5353583	
CUSTOMER DRAWING					SCALE	4:1	SHEET	1 OF 2
					REV	A1		

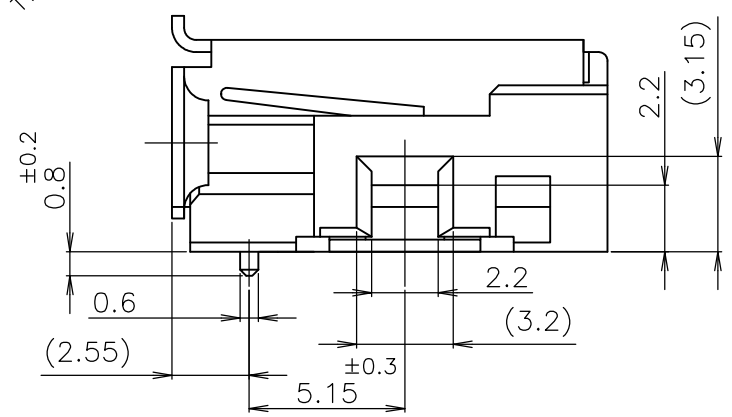
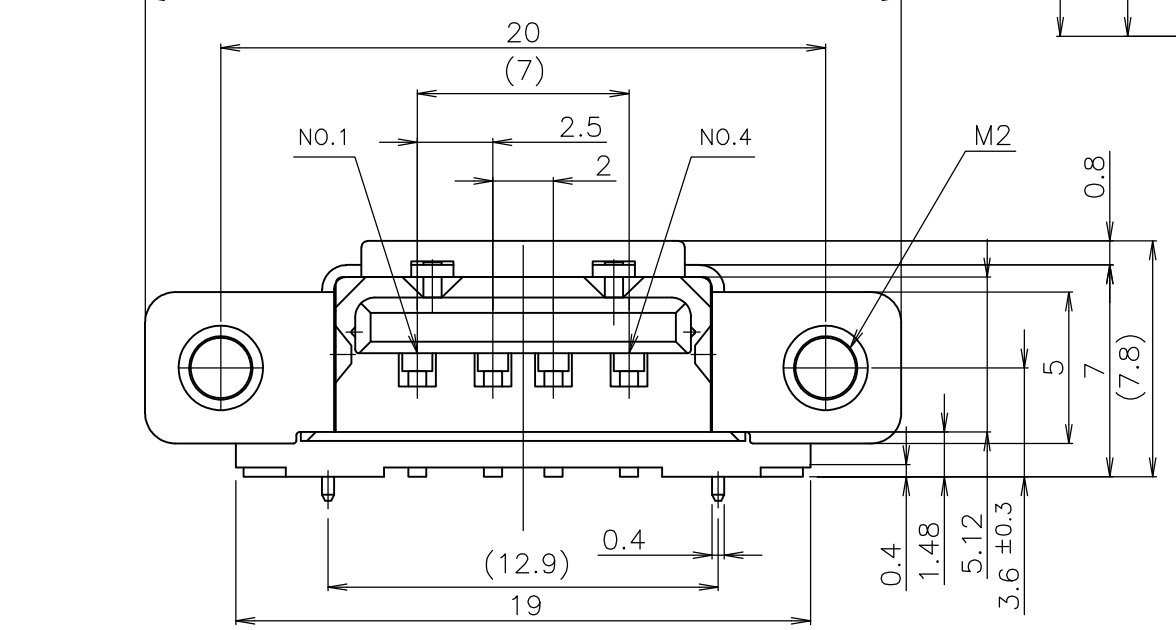
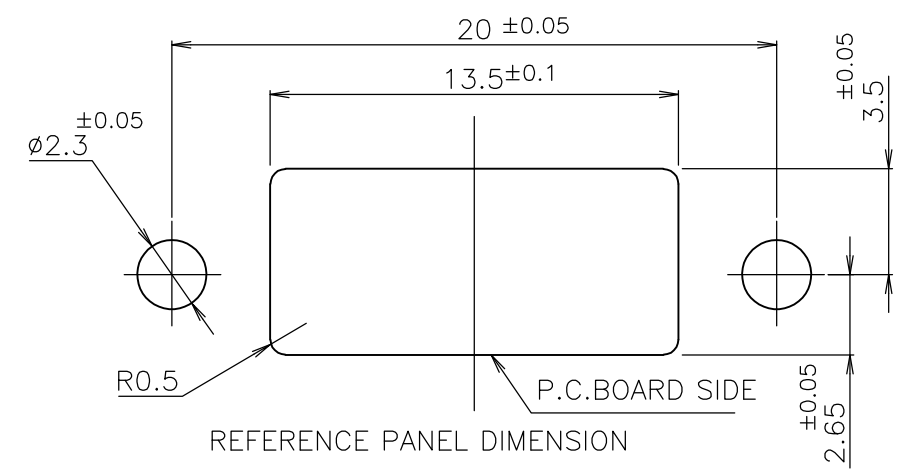
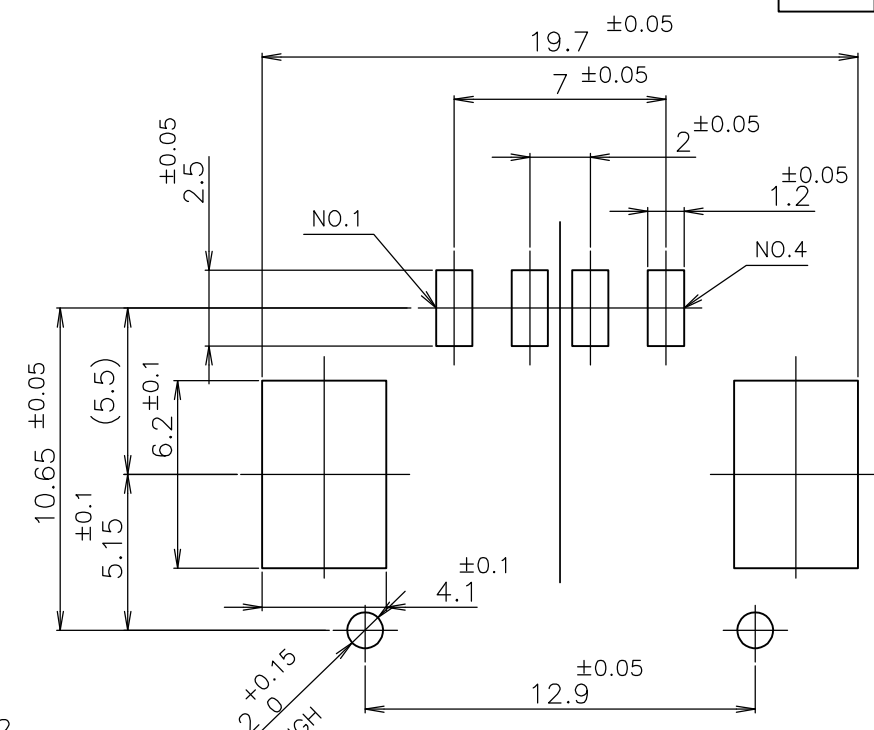
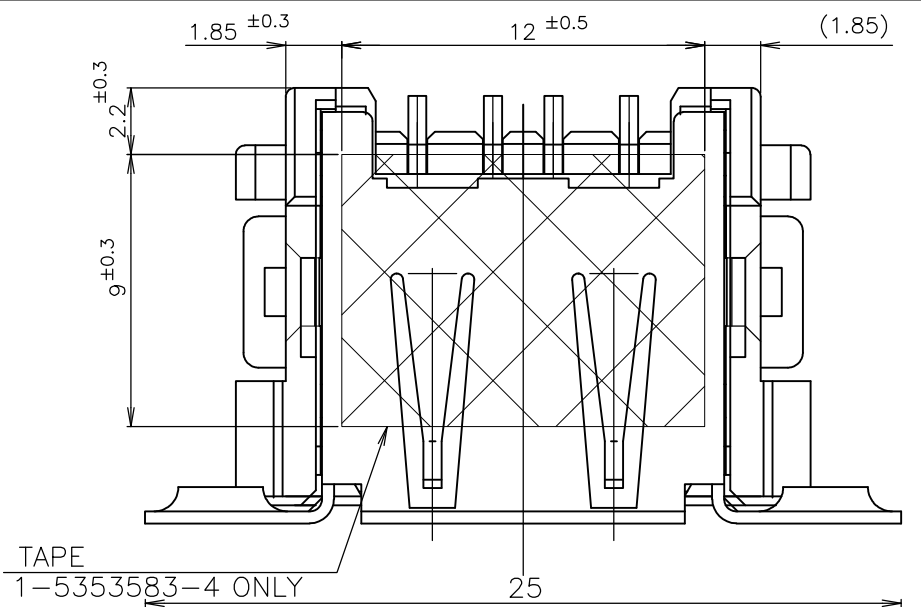
THIS DRAWING IS UNPUBLISHED. RELEASED FOR PUBLICATION

© COPYRIGHT - By - ALL RIGHTS RESERVED.

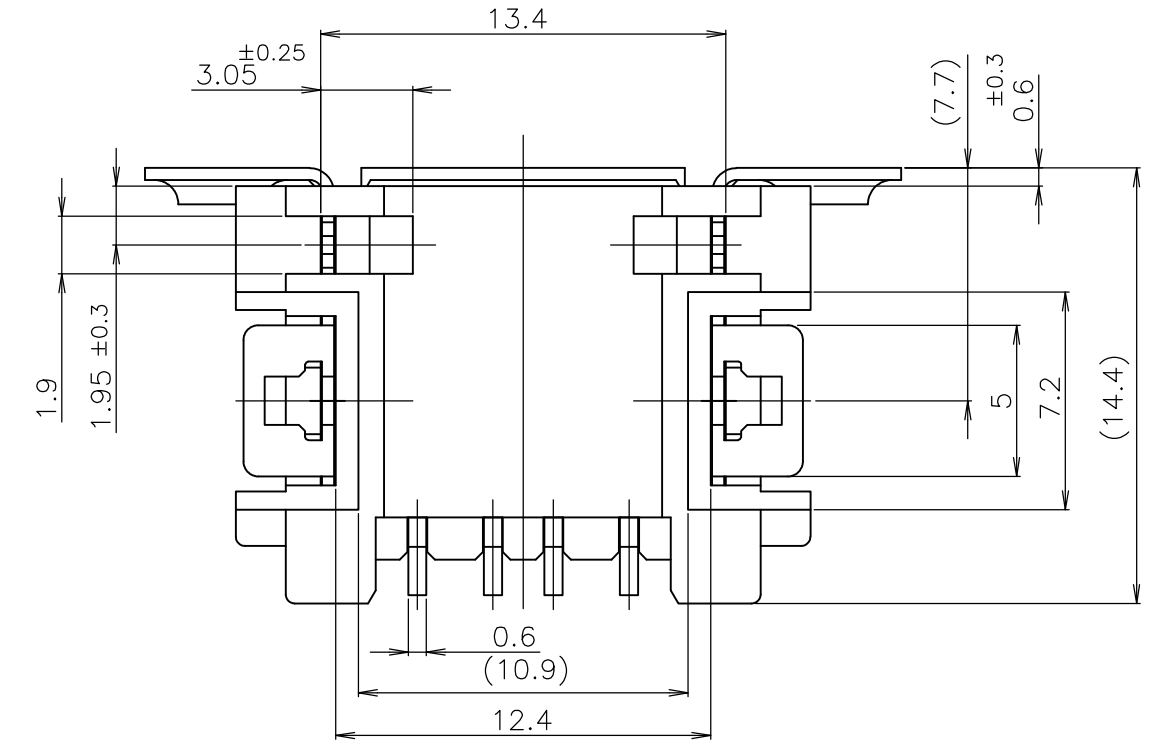
LOC ES DIST 00

REVISIONS

P	LTR	DESCRIPTION	DATE	DWN	APVD
-	-	SEE SHEET 1	-	-	-



- MATERIAL & FINISH**
 CONTACT: COPPER ALLOY
 Au PL. ON Pd-Ni PL. AT CONTACT AREA OVER Ni PL.
 MATTE TIN PL. AT TINE AREA OVER Ni PL.
 HOUSING: THERMO-PLASTICS, UL94V-0
 SHELL : COPPER ALLOY, TIN PL.
- 2 GENERAL TOLERANCE**
 10 ≥ : ± 0.2
 30 ≥ > 10 : ± 0.25
 100 ≥ > 30 : ± 0.3
 ANGLES : ± 5°
- 3. MATERIAL/PARTS WHICH ARE CONTAINED THE PROHIBITION SUBSTANCE FOR ENVIRONMENTAL RELATED SUBSTANCE CONTROL STANDARD EN-022 (ENVIRONMENT RELATED SUBSTANCE) MUST NOT USE IN PRODUCT AND MANUFACTURING PROCESS**
- 4. CADMIUM CONTENT: 5ppm UNDER**



5353583-3,4

THIS DRAWING IS A CONTROLLED DOCUMENT.		DWN	STE TE Connectivity		
DIMENSIONS: MM		CHK			
TOLERANCES UNLESS OTHERWISE SPECIFIED:		APVD	RECEPTACLE ASS'Y R/A SMT STANDARD TYPE USB CONNECTOR		
0 PLC ±	1 PLC ± 2 PLC ± 3 PLC ± 4 PLC ± ANGLES ±	PRODUCT SPEC	SIZE		RESTRICTED TO
1 PLC ±		APPLICATION SPEC	CAGE CODE		
2 PLC ±		FINISH	DRAWING NO		
3 PLC ±		FINISH	A300779 C-5353583		
MATERIAL		WEIGHT	SCALE 4:1		SHEET 2 OF 2
1		CUSTOMER DRAWING		REV A1	