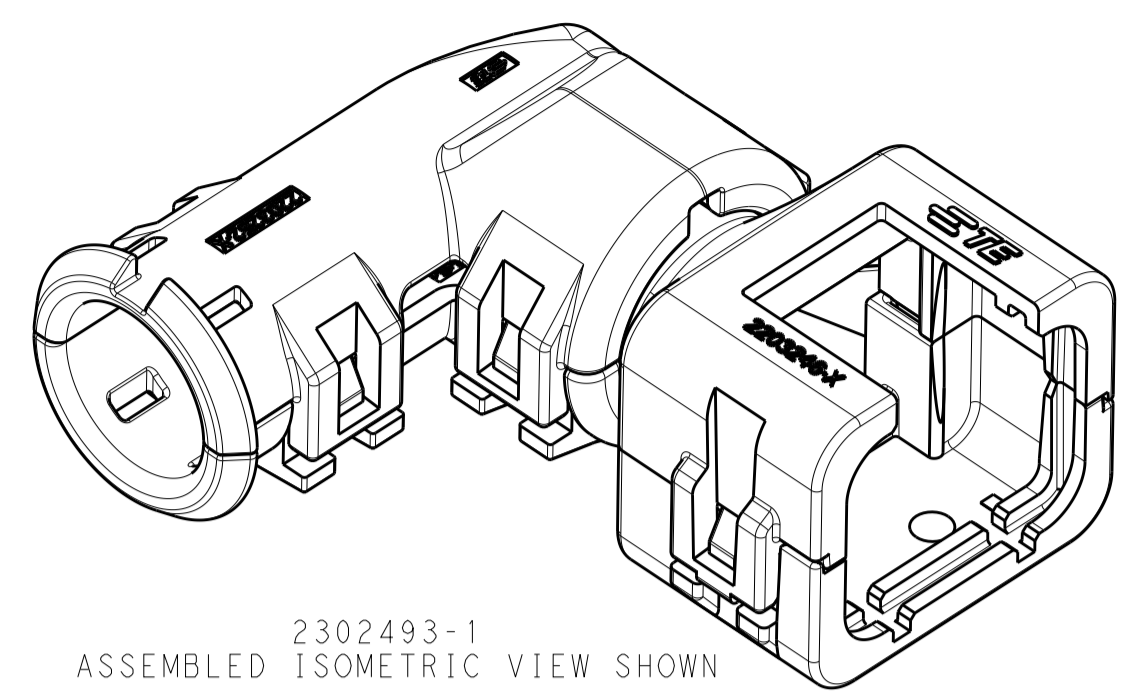
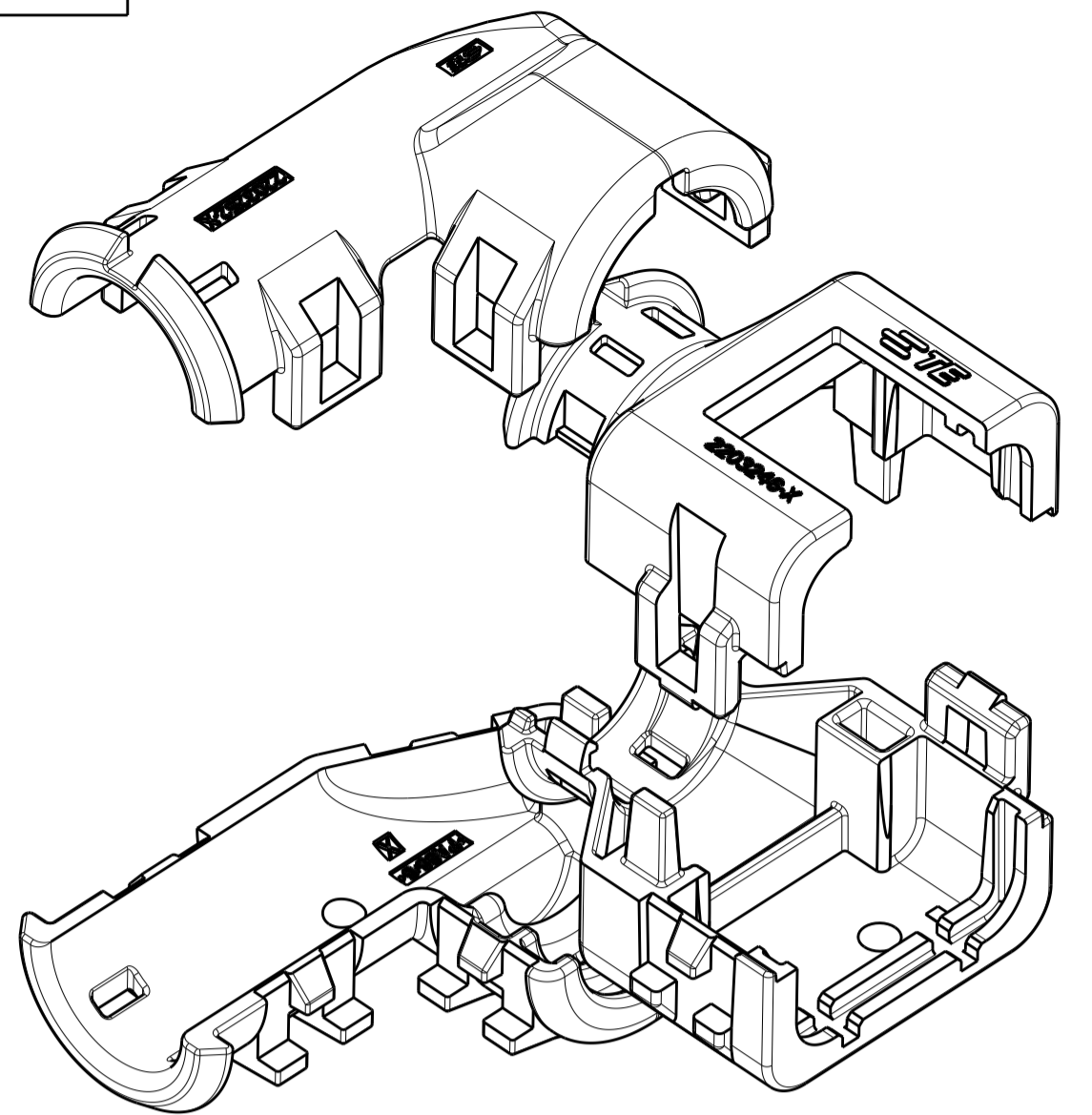


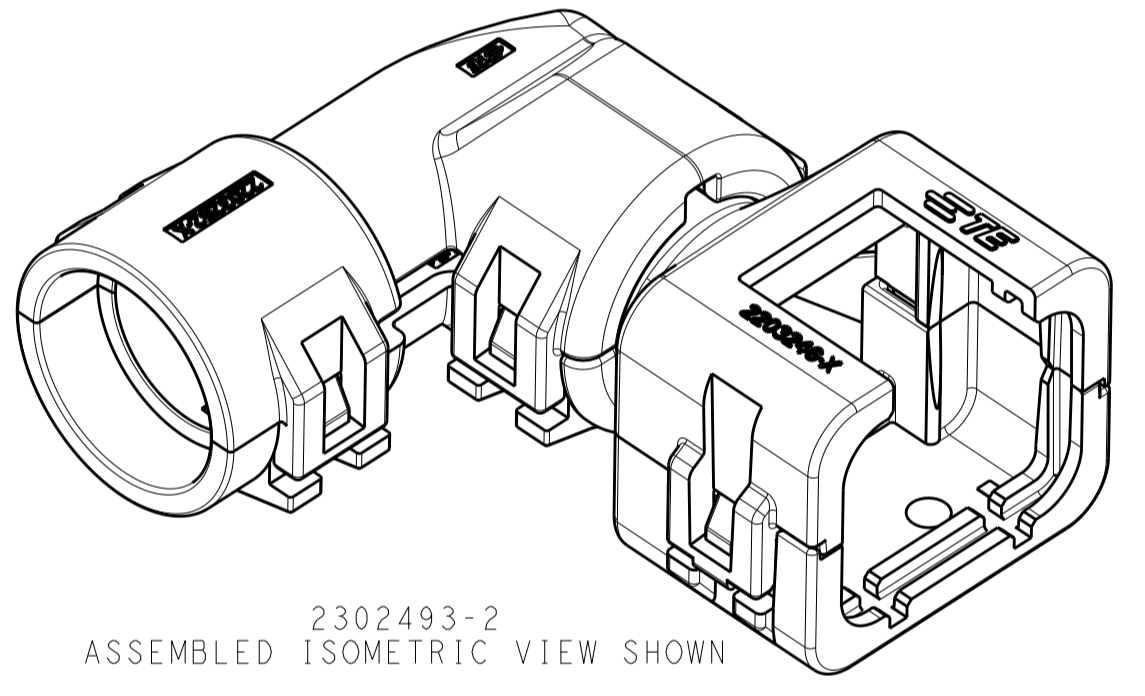
REVISIONS				
P.	LTN	DESCRIPTION	DATE	APVD
A		RELEASED PER ECO-16-008203	01JUN2016	JM RB
A2		REV PER ECO-16-013256	08SEP2016	JM RB



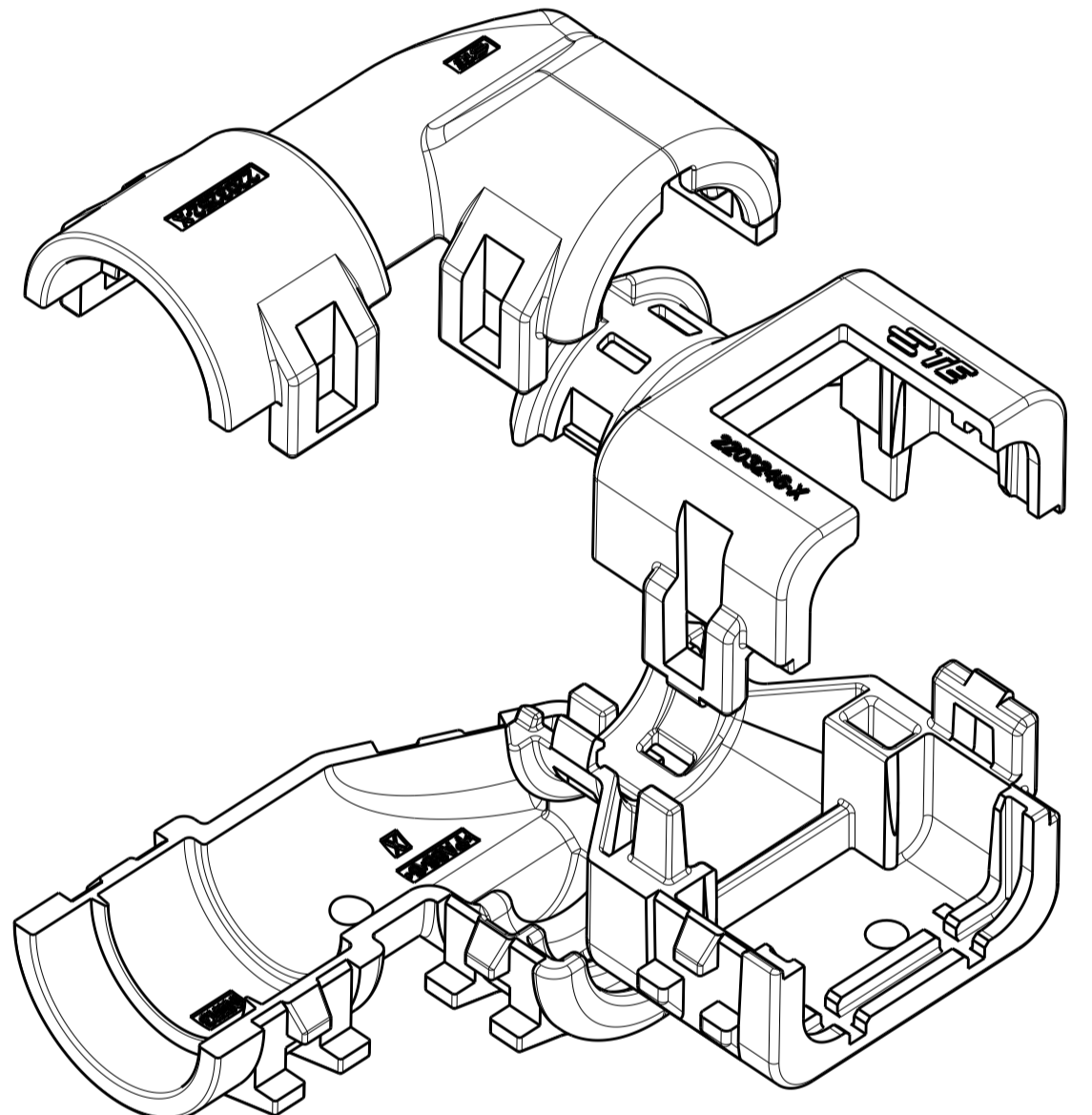
2302493-1
ASSEMBLED ISOMETRIC VIEW SHOWN



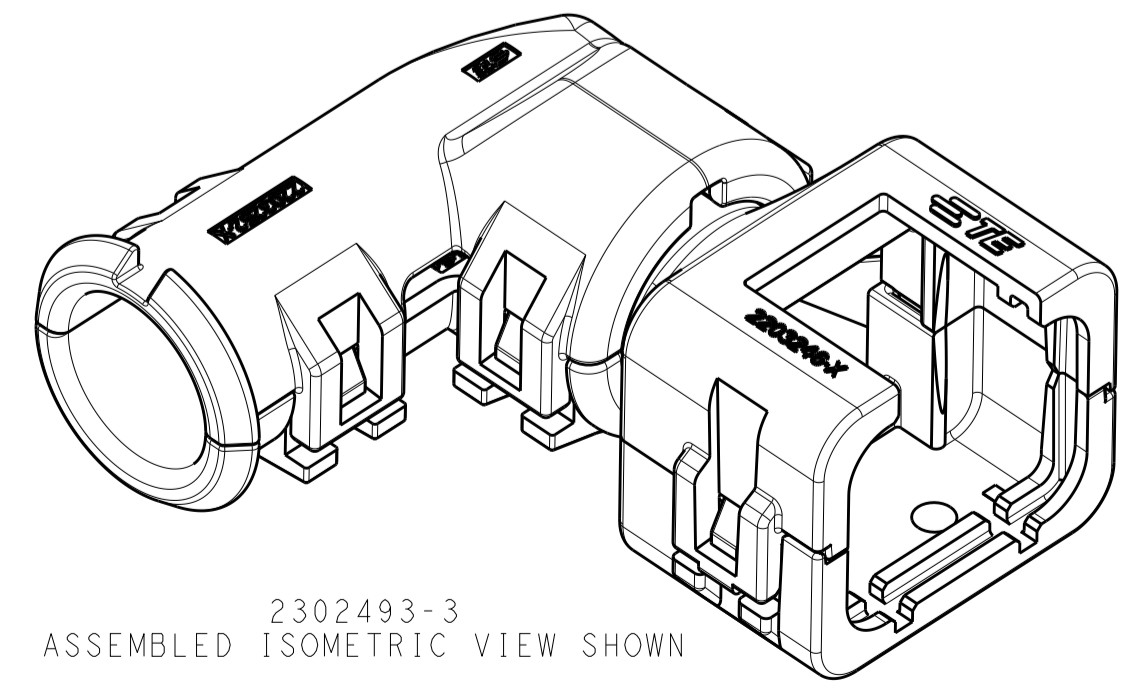
2302493-1
EXPLODED ISOMETRIC VIEW SHOWN



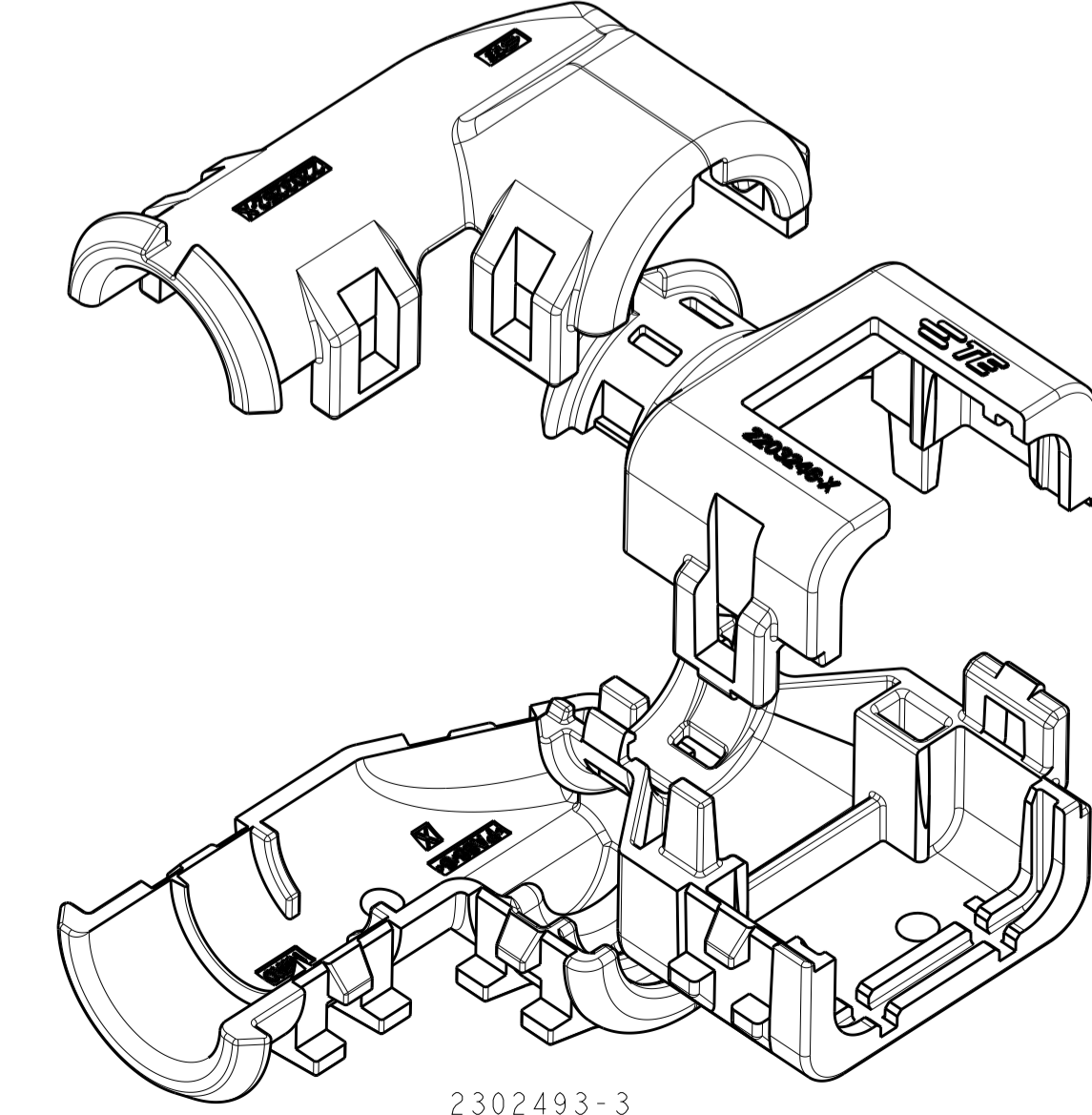
2302493-2
ASSEMBLED ISOMETRIC VIEW SHOWN



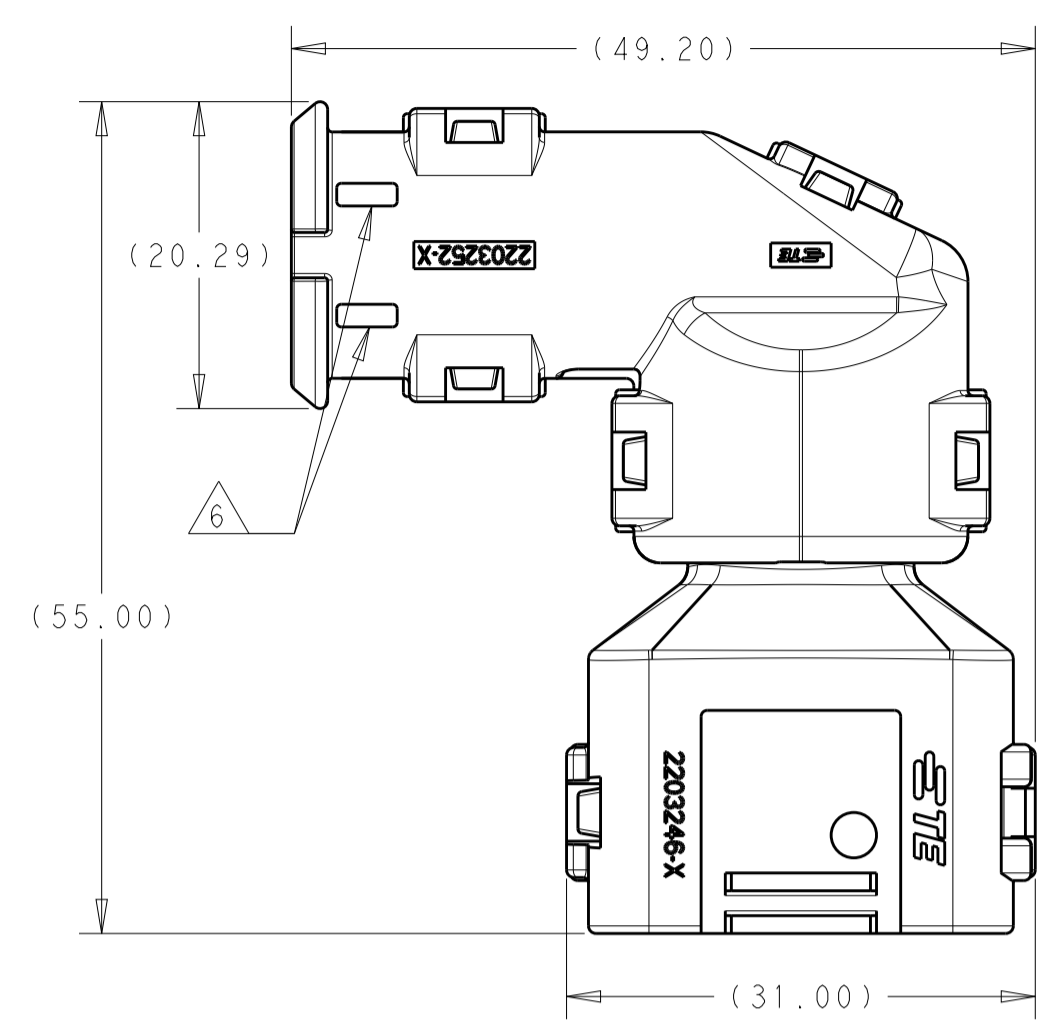
2302493-2
EXPLODED ISOMETRIC VIEW SHOWN



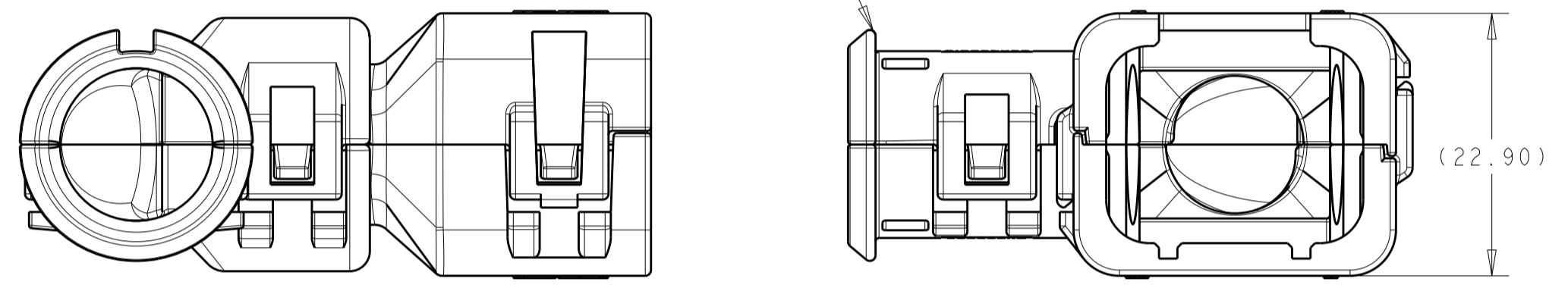
2302493-3
ASSEMBLED ISOMETRIC VIEW SHOWN



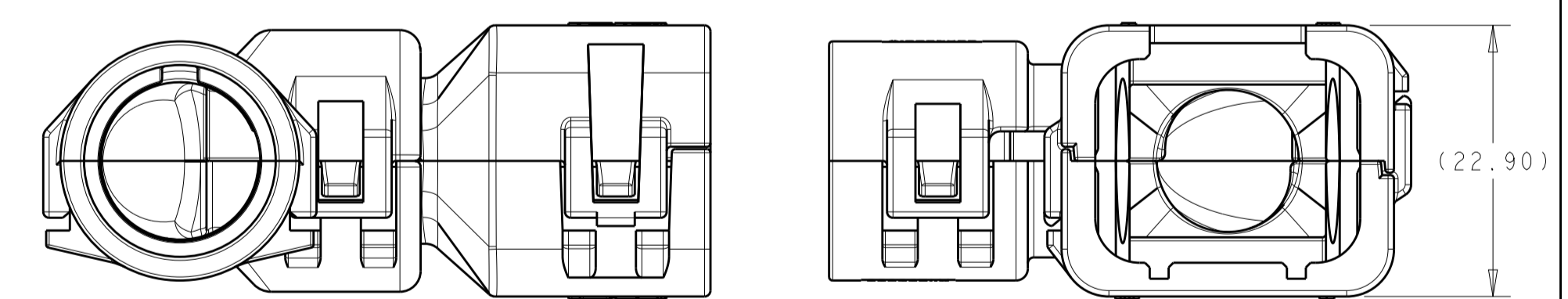
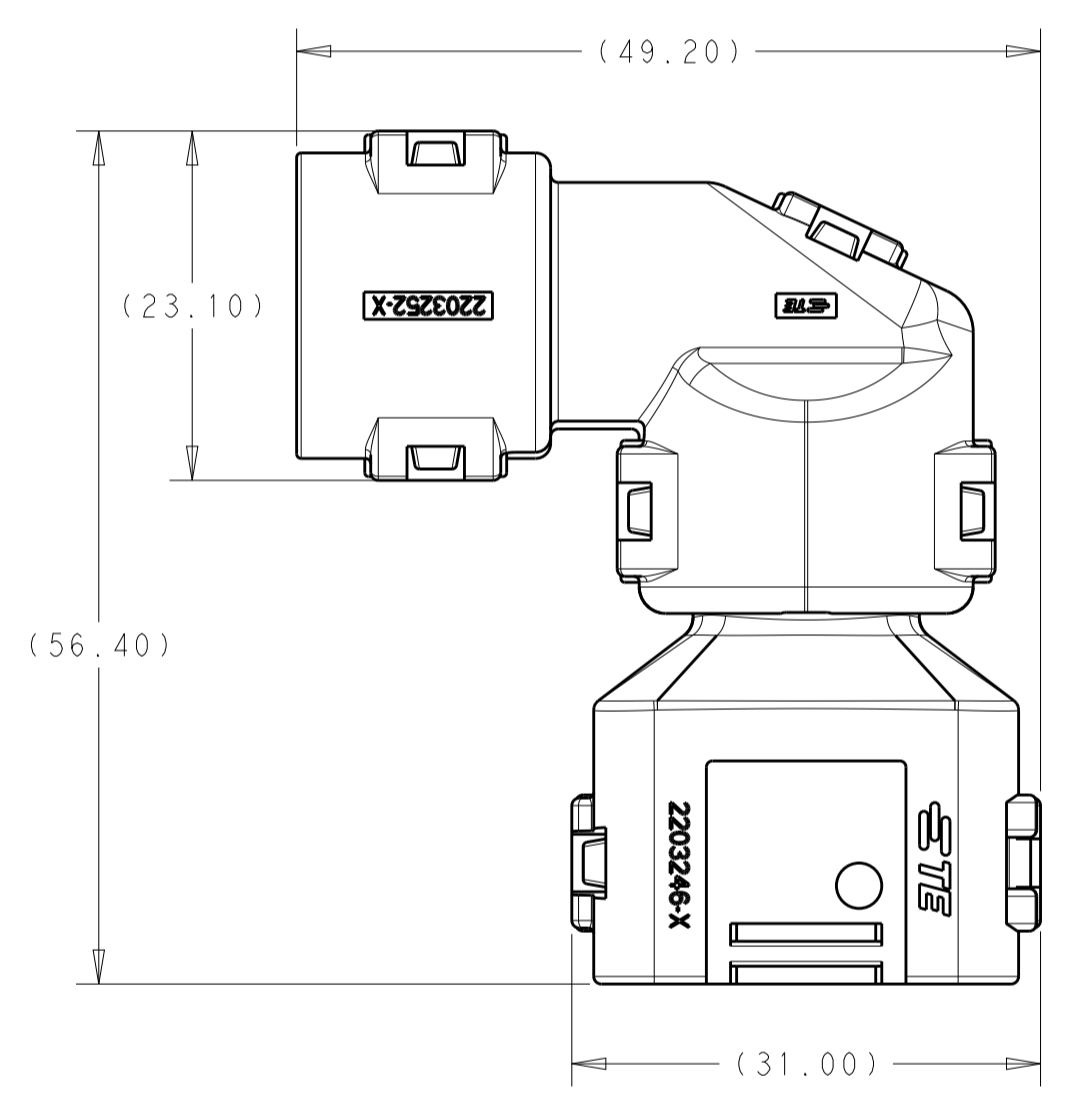
2302493-3
EXPLODED ISOMETRIC VIEW SHOWN



- 1 MATERIAL: NYLON MOLDING COMPOUND, BLACK, PA66/6.
- 2 BACKSHELL DESIGNED SUCH THAT TWO HALVES ATTACH TO ONE ANOTHER AND CLAMP AROUND THE CONNECTOR COVER.
- 3 ELBOW DESIGNED SUCH THAT TWO HALVES ATTACH TO ONE ANOTHER AND CLAMP AROUND THE BACKSHELL COLLAR.
- 4 DIMENSIONS TO BE MEASURED WHEN ELBOWS AND BACKSHELLS ASSEMBLED.
- 5 PRODUCT WEIGHTS:
2302493-1: 11.45g ASSEMBLED
2302493-2: 12.25g ASSEMBLED
2302493-3: 11.60g ASSEMBLED
- 6 4MM WIDE SLOTS FOR TIE WRAP TO SECURE HARNESS WIRES (-1 ONLY).
- 7 HEAT SHRINK TUBING FEATURE (-1 AND -3 ONLY).
- 8. INSTRUCTION SHEET: 408-151043
- 9. CONDUIT PROFILE: NORMAL ONLY



2302493-1
ASSEMBLED VIEW SHOWN
DIMENSIONS SHOWN TYPICAL FOR 2302493-1 AND -3



2302493-2
ASSEMBLED VIEW SHOWN
DIMENSIONS SHOWN FOR 2302493-2 ONLY

776433-X	NC12	NW10	2302493-3
776531-X	NC16	NW13	2302493-2
	SMOOTH	SMOOTH	2302493-1
FITS ON PLUG ASSY	CORREGATE NC	CORREGATE NW	PART NUMBER
	CONDUIT SIZE		

THIS DRAWING IS A CONTROLLED DOCUMENT.		DWN J. MCNEAL 13APR2016	TE Connectivity	
DIMENSIONS: mm [INCHES]		CHK R. BALTER 13APR2016	NAME BACKSHELL AND ELBOW KIT, 6 POSN PLUG ASSY, AMPSEAL 16	
TOLERANCES UNLESS OTHERWISE SPECIFIED:		APVD R. BALTER 13APR2016	PRODUCT SPEC 108-151043	
0 PLC ±.1		APPLICATION SPEC		
1 PLC ±.15		SIZE CAGE CODE DRAWING NO		
2 PLC ±.2		RESTRICTED TO		
3 PLC ±.3		WEIGHT 5		
4 PLC ±.4		A100779C=2302493		
ANGLES ±.5		CUSTOMER DRAWING		
FINISH		SCALE 1:1 SHEET 1 OF 1 REV A2		