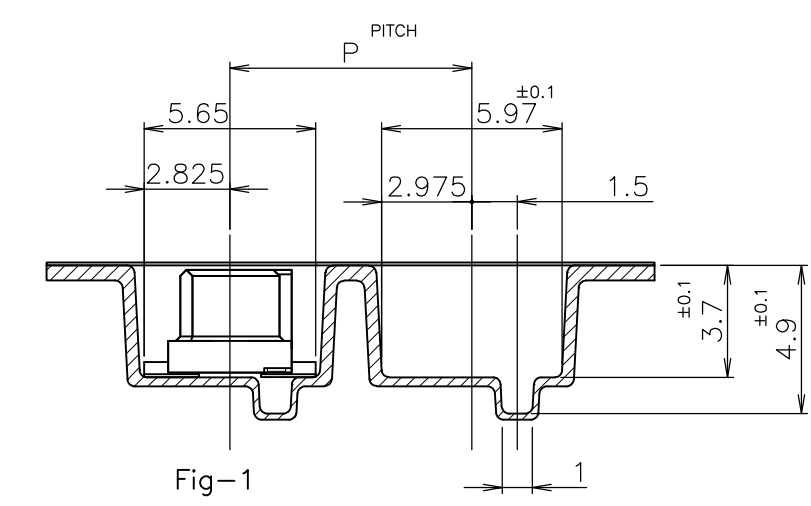
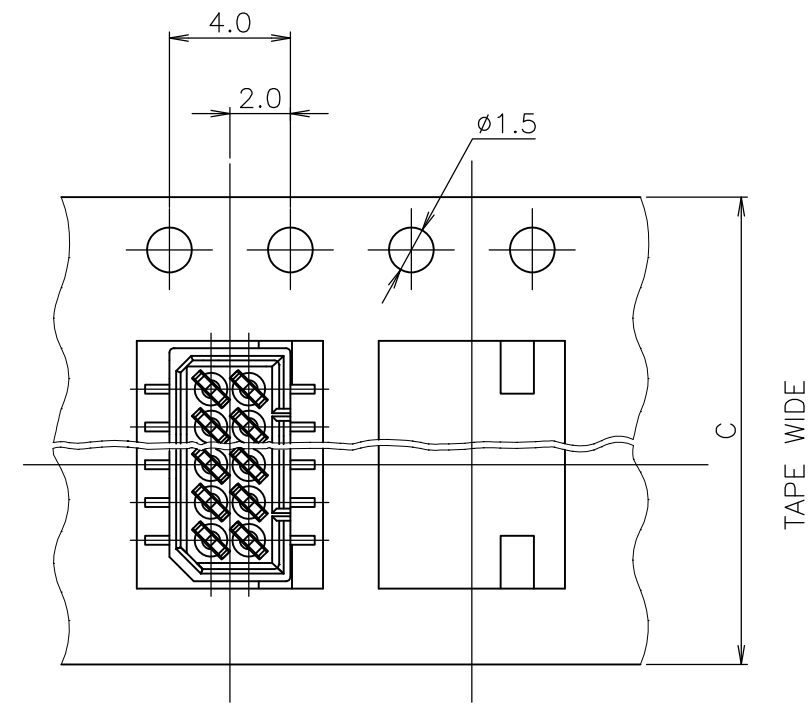
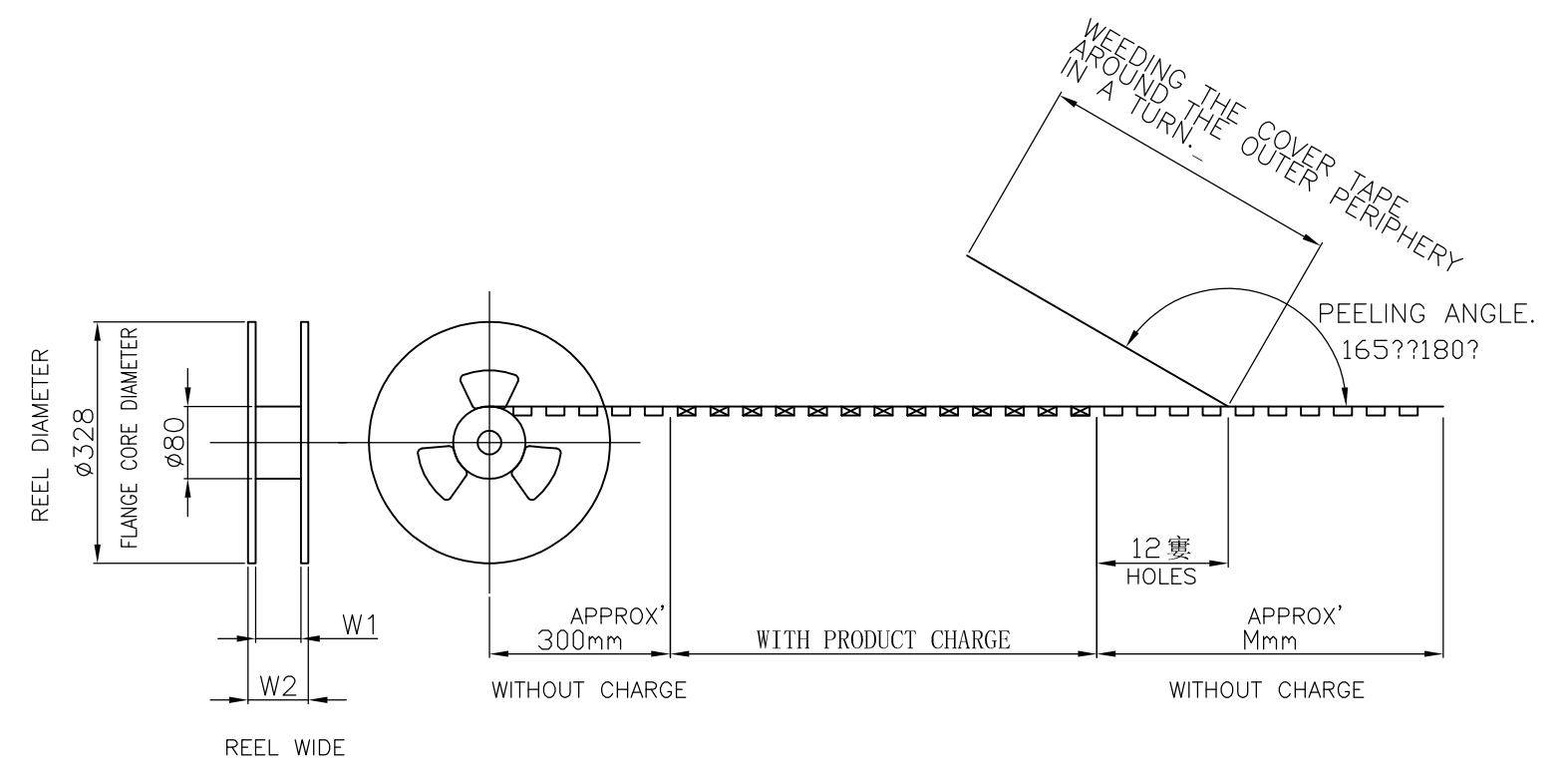


THIS DRAWING IS UNPUBLISHED. RELEASED FOR PUBLICATION
 © COPYRIGHT By - ALL RIGHTS RESERVED.

LOC	DIST	REVISIONS					
J		P	LTR	DESCRIPTION	DATE	DWN	APVD
		G		REVISED ECR-14-010014	11NOV2014	I.T	W.H



TOP OF REEL
 →



NOTES;
 △ PACKING SPEC : 107-5123-1

OBSOLETE								20	2-	4	5-	0	5-	0
ACTIVE								18	2-	3	4-	8	4-	8
	29	26	600	12		1000	16			9	4-	6	4-	6
							12			8	4-	2	4-	2
							10	1-720999-1	4-		0	4-		0
OBSOLETE	21	18	300	8	16	1500	6	1-912050-3	3-174904-6	3-175630-6				
	W ₂	W ₁	M	P	C	?? (?) QTY/REEL	?? Pos.	?????? ? ? EMBOSS TAPE P/N	????? (???) CONNECTOR P/N	???? ????? TAPING P/N				

THIS DRAWING IS A CONTROLLED DOCUMENT.		DWN J.TANIGAWA 28MAY88	TE Connectivity	
DIMENSIONS: mm		CHK S.KIKUCHI 30MAY88		
TOLERANCES UNLESS OTHERWISE SPECIFIED:		APVD N.ONOUE 30MAY88	NAME	
0-PLC ± 1-PLC ± 2-PLC ± 3-PLC ± 4-PLC ± ANGLES ± FINISH ±		PRODUCT SPEC	ON TAPING (EMBOSS)1.25 F-P CONNECTOR B-TO-B DOUBLE ROW REC HDR ASS'Y (V) SMT TYPE WITHOUT BOSS	
MATERIAL		APPLICATION SPEC	SIZE	RESTRICTED TO
		WEIGHT	A300779	
		CUSTOMER DRAWING	CAGE CODE	
			G-175630	
			DRAWING NO	
			SCALE	
			NON	
			SHEET	
			1 OF 2	
			REV	
			G	

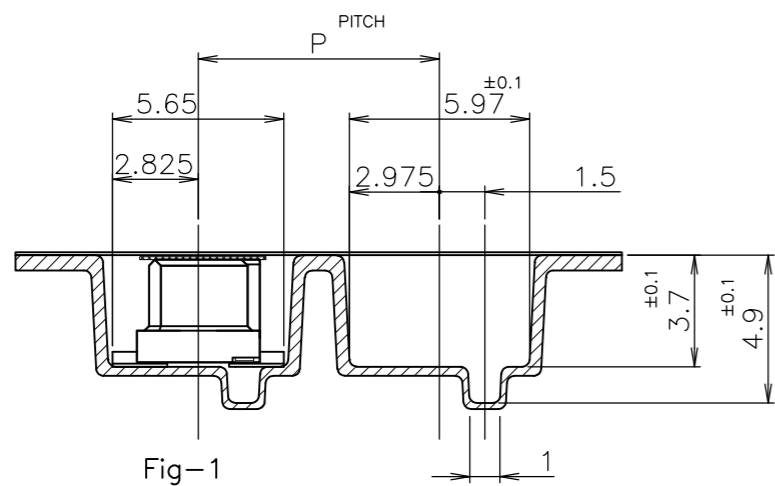
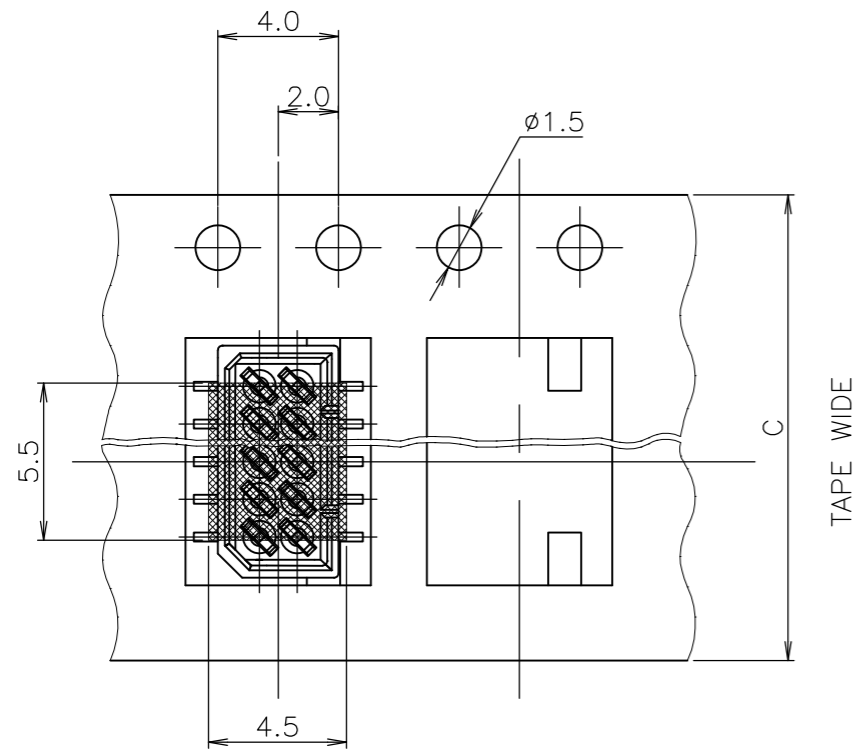
THIS DRAWING IS UNPUBLISHED.

RELEASED FOR PUBLICATION

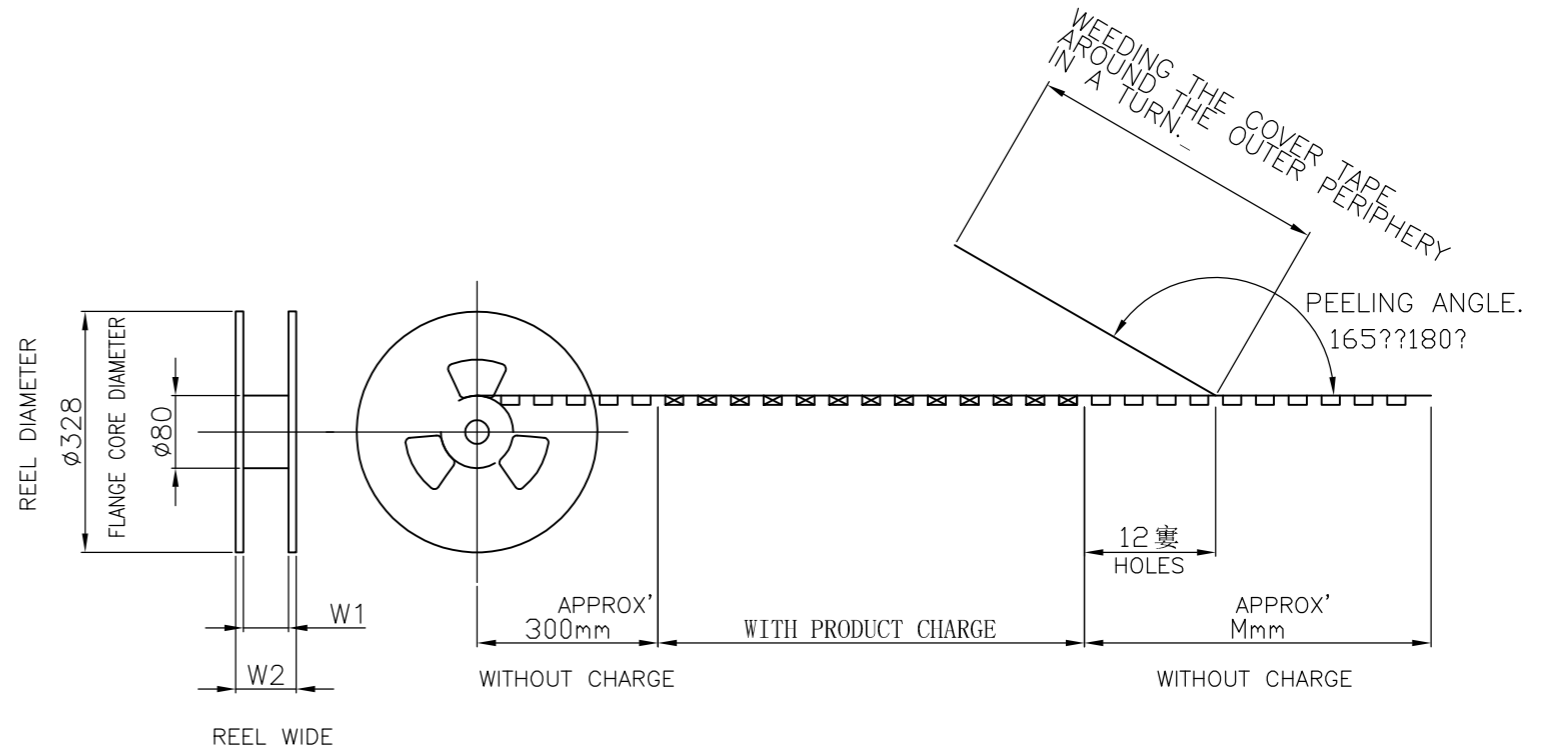
© COPYRIGHT By -

ALL RIGHTS RESERVED.

LOC	DIST	REVISIONS			
P	LTR	DESCRIPTION	DATE	DWN	APVD
		SEE SHEET 1	-	-	-



TOP OF REEL



WITH POLYAMIDE TAPE

29	26	600	12	24	1000	16	720999-9	4-	↑	-6	9-	↑	-6
21	18	300	8	24	1500	14	2-720999-2	4-	↑	174904-4	4-	↑	175630-4
W ₂	W ₁	M	P	C	QTY/REEL	Pos.	EMBOSS TAPE P/N	CONNECTOR P/N		SALABLE TAPING P/N			

THIS DRAWING IS A CONTROLLED DOCUMENT.		DWN J.TANIGAWA 28MAY88	TE Connectivity ON TAPING (EMBOSS)1.25 F-P CONNECTOR B-TO-B DOUBLE ROW REC HDR ASS'Y (V) SMT TYPE WITHOUT BOSS, W/CAP											
DIMENSIONS: mm		CHK S.KIKUCHI 30MAY88												
TOLERANCES UNLESS OTHERWISE SPECIFIED:		APVD N.ONOUE 30MAY88												
<table border="0"> <tr><td>0 PLC</td><td>±</td></tr> <tr><td>1 PLC</td><td>±</td></tr> <tr><td>2 PLC</td><td>±</td></tr> <tr><td>3 PLC</td><td>±</td></tr> <tr><td>4 PLC</td><td>±</td></tr> <tr><td>ANGLES</td><td>±</td></tr> </table>		0 PLC			±	1 PLC	±	2 PLC	±	3 PLC	±	4 PLC	±	ANGLES
0 PLC	±													
1 PLC	±													
2 PLC	±													
3 PLC	±													
4 PLC	±													
ANGLES	±													
MATERIAL		FINISH	APPLICATION SPEC	RESTRICTED TO										
		WEIGHT	SIZE A3	CAGE CODE 00779										
		CUSTOMER DRAWING	DRAWING NO C-175630	SCALE NON										
			SHEET 2 OF 2	REV F										